

# Drapes & Drape Packs



Advanced Protection System  
**Innovation Focus: Barrier Performance**

V 10



At Multigate we combine our deep understanding of how you work with our design capabilities to innovate and better serve you, your patients and our partners.

For over 30 years we've created medical products, services and experiences that give you the advantage to perform at your best. We continue to do this.

Inspiring performances and better patient outcomes that will lead the world of hospital care to new standards.

We are Multigate.



## ADVANCED PROTECTION SYSTEM

We have combined over fifteen years of experience in drape development for the Australian perioperative market, with state of the art materials and manufacturing technologies, to bring you the latest in imperviousness and absorbency, delivering unbeatable patient and surgical team protection.

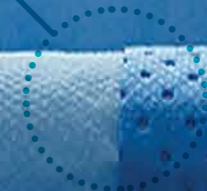
- ✓ Impervious
- ✓ High absorption capacity and speed
- ✓ Soft and pliable
- ✓ Strong and durable
- ✓ Low linting
- ✓ No latex



Improved microbial barrier performance



Excellent draping capability



## TECHNOLOGY — STATE OF THE ART MATERIALS TECHNOLOGY

Multigate Protex<sup>®</sup>4 drapes are made from a pliable yet tough impervious bi-laminate material supported by an additional ultra-reinforcement layer to further boost absorbency if required. They are designed to eliminate bacterial transfer and deliver maximum absorbency and strikethrough prevention

## FEATURES — SUPERIOR BARRIER PERFORMANCE

Superior Barrier Performance Multigate Protex<sup>®</sup>4 drapes deliver impervious AAMI level 4 protection not just in the critical zone but across the entire drape.

### High performance tethers.

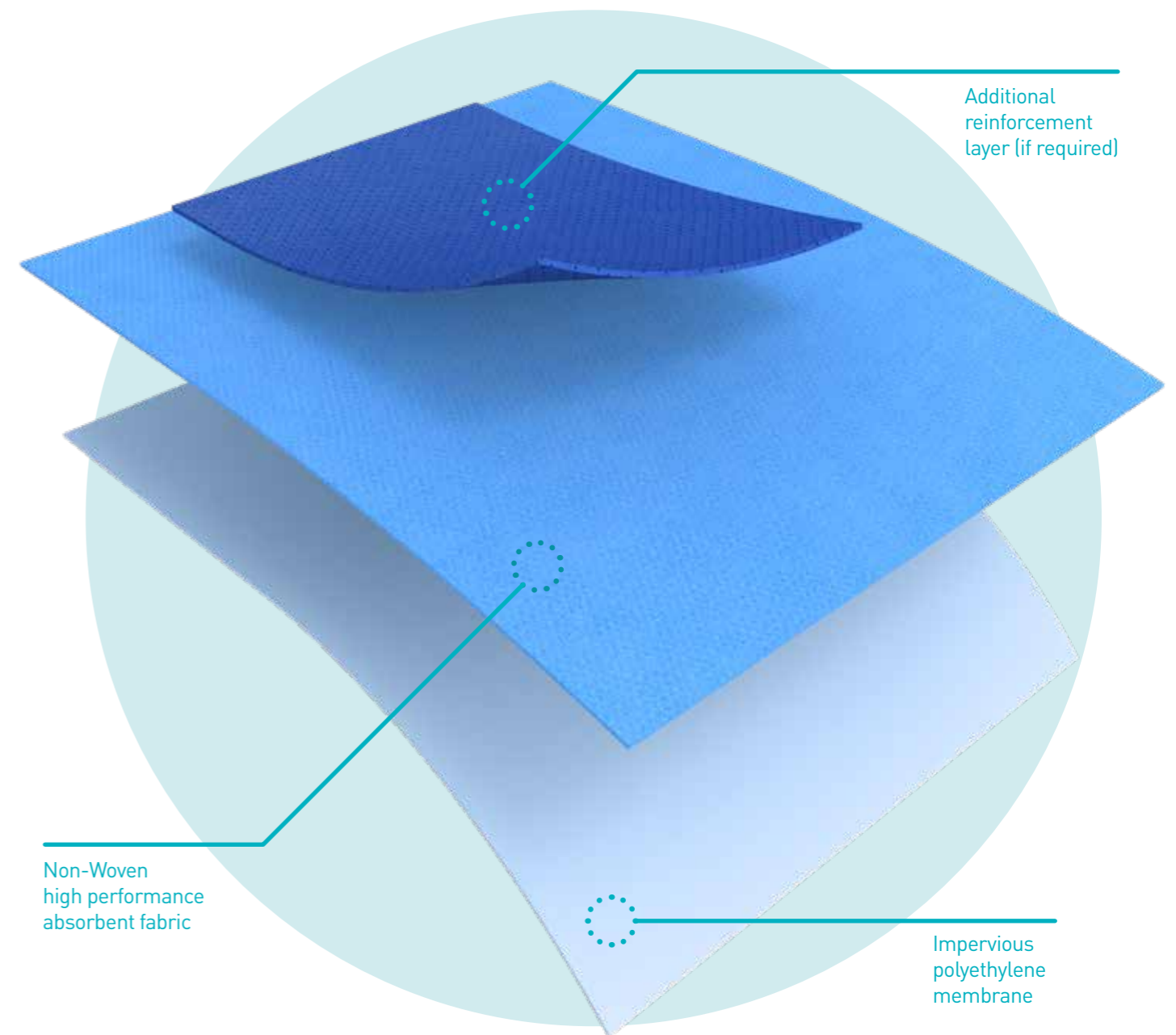
Our tethers provide a strong heavy duty hold to manage quivers and leads with confidence.

### Reliable adhesion.

Protex<sup>®</sup>4 drapes offer a reliable incise film and adhesion performance and are suitable for all skin types.

### Fluid collection.

Fluid pouches made from polyethylene offer a durable heavy duty seal and are combined with strategically placed suction ports to aid the capture, monitoring and management of fluid and blood loss.





# Contents

Basic Drapes & Accessories	10
Orthopaedic	56
General Surgery	66
Obstetrics & Gynaecology	70
Urology & Cystoscopy	76
Paediatric	80
Neuro Surgery	84
Cardiac & Angiography	88
ENT & Ophthalmic	94

# Basic Drapes & Accessories

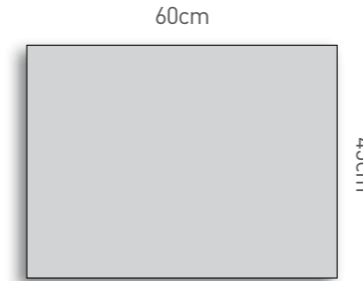
## CONTENTS

Plastic Drapes	11
Protex® Drapes	13
Drape Sheets without Adhesive	15
Drape Sheets with Adhesive	19
Universal Drapes	22
Universal Drape Sets	24
Aperture Drapes	25
Aperture Drapes without Adhesive	25
Aperture Drapes with Adhesive	28
Aperture Drapes with Reinforcement and Adhesive	35
Split Drapes	38
Split Drape Sets	39
Back Table Covers	40
Mayo Covers	44
Stockinette and Leggings	45
Drape Accessories	46
Fluid Pouches	48
Probe Covers	50
II Covers	51
Leadscreens Covers	53

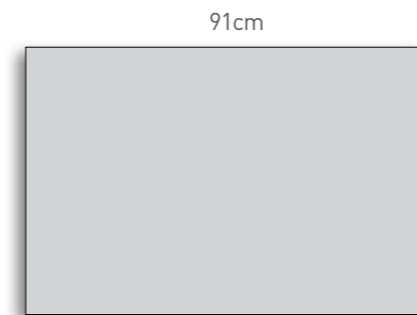
PRODUCT MATERIAL KEY:



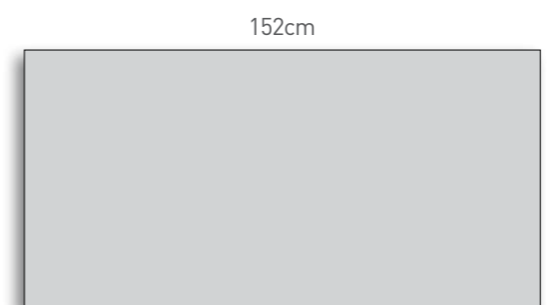
Plastic Drapes	RE-ORDER	DESCRIPTION	CARTON QTY	NON STERILE
	22-200	<b>Plastic Drape</b> • Drape 60cm x 45cm	100	DP 1095



Plastic Drapes	RE-ORDER	DESCRIPTION	CARTON QTY	NON STERILE
	22-201	<b>Plastic Drape</b> • Drape 91cm x 61cm	100	DP 1087



Plastic Drapes	RE-ORDER	DESCRIPTION	CARTON QTY	NON STERILE
	22-202	<b>Plastic Drape</b> • Drape 152cm x 76cm	100	DP 1088



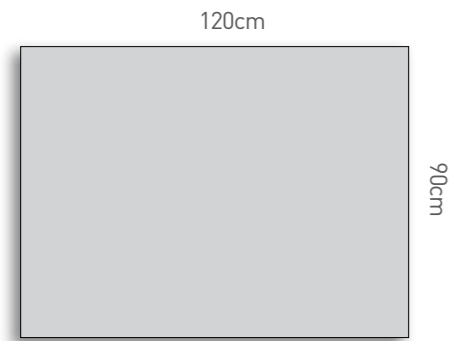
 Protex® Drapes have an absorbent top layer with an impervious backing.

PRODUCT MATERIAL KEY:



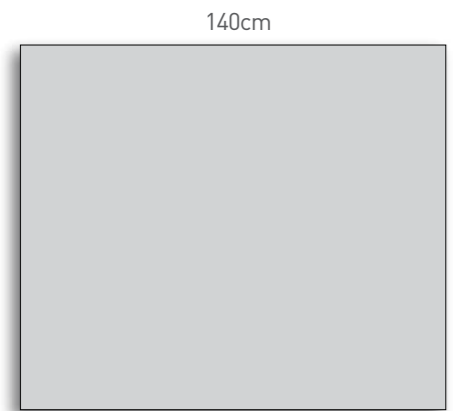
Plastic Drapes

RE-ORDER	DESCRIPTION	CARTON QTY	NON STERILE
22-203	Plastic Drape • Drape 120cm x 90cm	100	DP 1093



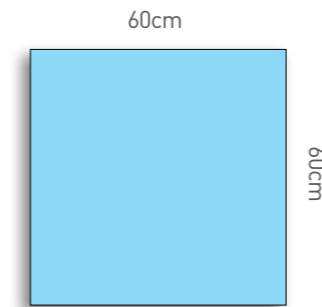
Plastic Drapes

RE-ORDER	DESCRIPTION	CARTON QTY	NON STERILE
22-205	Plastic Drape • Drape 140cm x 120cm	100	DP 1094



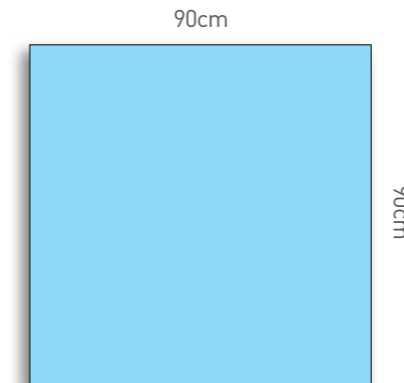
Protex Drapes

RE-ORDER	DESCRIPTION	CARTON QTY	NON STERILE
29-900	Protex Drape • Drape 60cm x 60cm	100	DP 1530



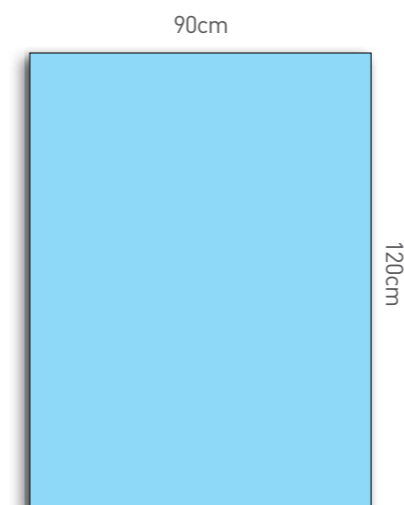
Protex Drapes

RE-ORDER	DESCRIPTION	CARTON QTY	NON STERILE
29-902	Protex Drape • Drape 90cm x 90cm	100	DP 1680



Protex Drapes

RE-ORDER	DESCRIPTION	CARTON QTY	NON STERILE
29-903	Protex Drape • Drape 90cm x 120cm	60	DP 1586



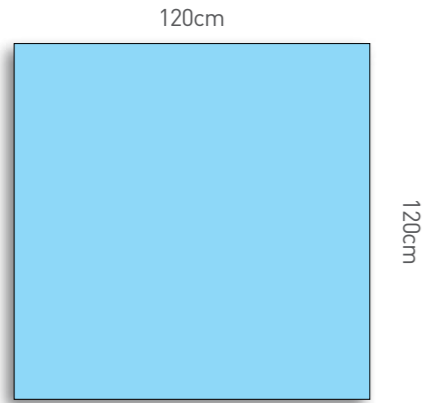
 Protex® Drapes have an absorbent top layer with an impervious backing.

PRODUCT MATERIAL KEY:



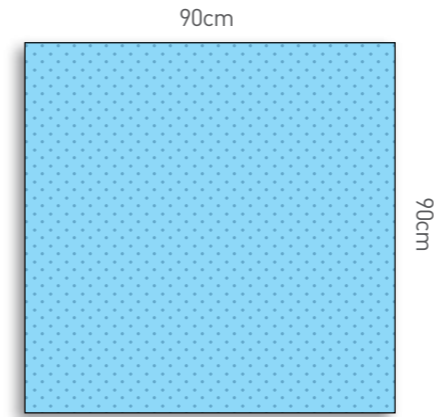
**Protex Drapes**

RE-ORDER	DESCRIPTION	CARTON QTY	NON STERILE
29-924	<b>Protex Drape</b> • Drape 120cm x 120cm	90	DP 1681



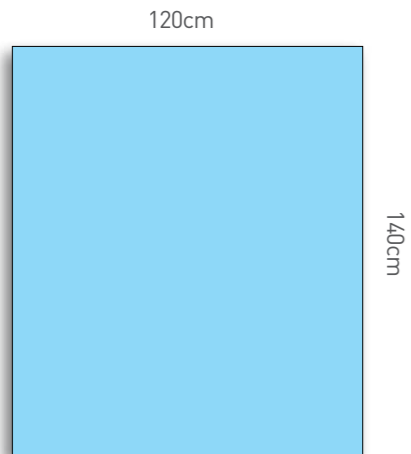
**Drape Sheets without Adhesive**

RE-ORDER	DESCRIPTION	CARTON QTY	NON STERILE
29-223	<b>Fluid Impervious Drape</b> • Drape 90cm x 90cm	100	DP 1409



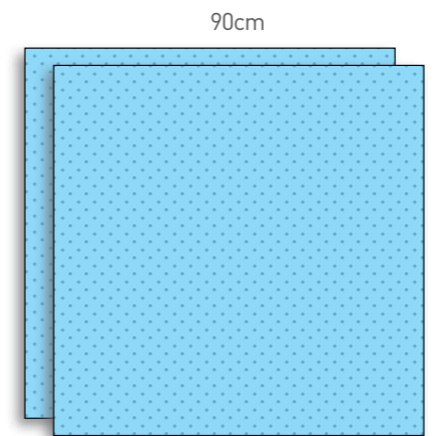
**Protex Drapes**

RE-ORDER	DESCRIPTION	CARTON QTY	NON STERILE
29-905	<b>Protex Drape</b> • Drape 120cm x 140cm	60	DP 1647



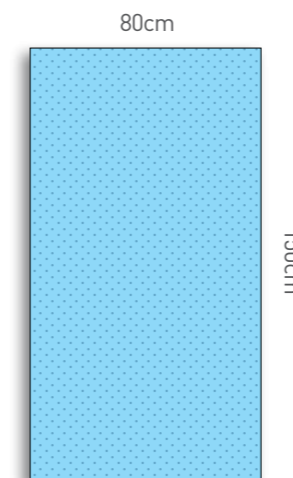
**Drape Sheets without Adhesive**

RE-ORDER	DESCRIPTION	CARTON QTY	NON STERILE
29-225	<b>Fluid Impervious Drape (Twin Pack)</b> • Drape 90cm x 90cm	50	DP 1410



**Drape Sheets without Adhesive**

RE-ORDER	DESCRIPTION	CARTON QTY	NON STERILE
28-114	<b>Trauma Sheet</b> • Drape 80cm x 150cm • Absorbent	25	ST 0089





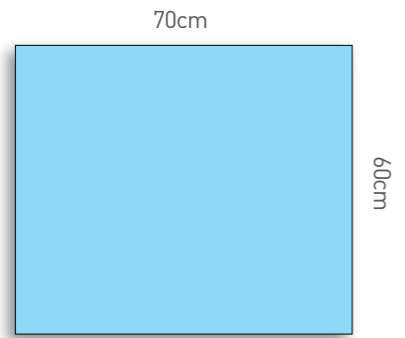
 Protex® Drapes have an absorbent top layer with an impervious backing.

PRODUCT MATERIAL KEY:



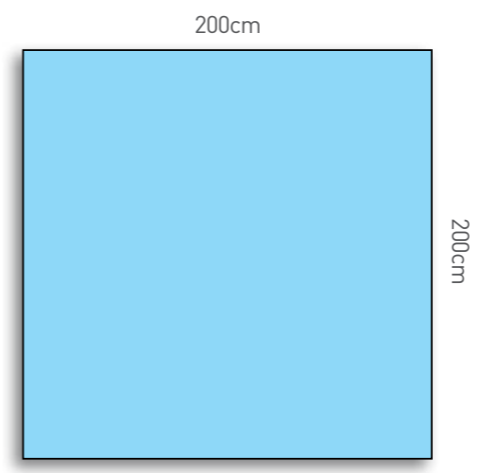
**Drape Sheets without Adhesive**

RE-ORDER	DESCRIPTION	CARTON QTY	NON STERILE
35-152	<b>Utility Drape</b> • Drape 70cm x 60cm	70	35-152NS



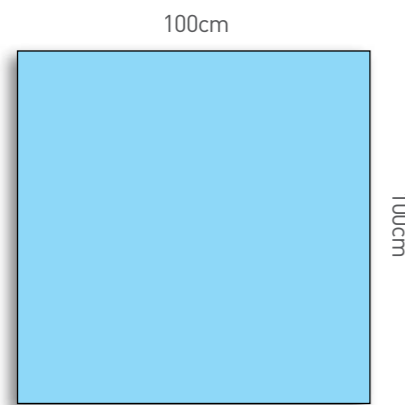
**Drape Sheets without Adhesive**

RE-ORDER	DESCRIPTION	CARTON QTY	NON STERILE
35-001	<b>Absorbent Large Drape</b> • Drape 200cm x 200cm	6	35-001NS



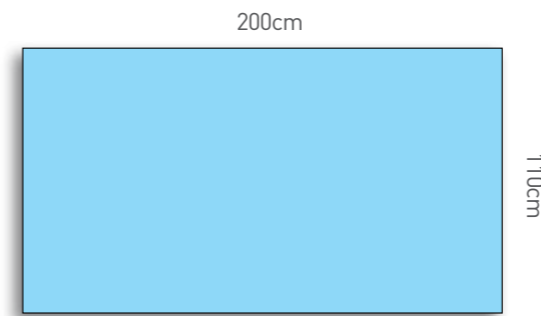
**Drape Sheets without Adhesive**

RE-ORDER	DESCRIPTION	CARTON QTY	NON STERILE
35-057	<b>Utility Drape</b> • Drape 100cm x 100cm	30	35-057NS



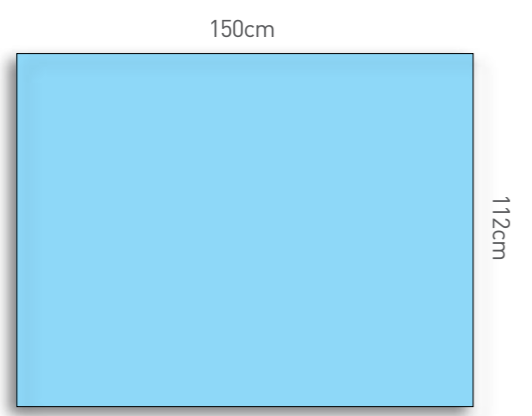
**Drape Sheets without Adhesive**

RE-ORDER	DESCRIPTION	CARTON QTY	NON STERILE
35-032	<b>Drape Sheet</b> • Drape 200cm x 110cm	30	35-032NS



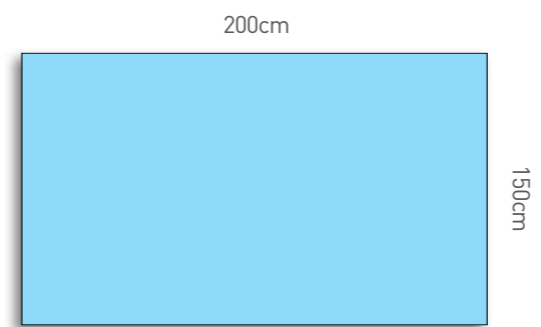
**Drape Sheets without Adhesive**

RE-ORDER	DESCRIPTION	CARTON QTY	NON STERILE
35-127	<b>Utility Drape</b> • Drape 150cm x 112cm	50	35-127NS



**Drape Sheets without Adhesive**

RE-ORDER	DESCRIPTION	CARTON QTY	NON STERILE
35-071	<b>Drape Sheet</b> • Drape 200cm x 150cm	10	35-071NS



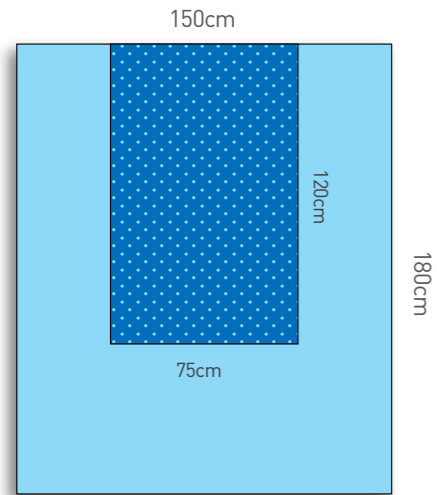
 Protex® Drapes have an absorbent top layer with an impervious backing.

PRODUCT MATERIAL KEY:



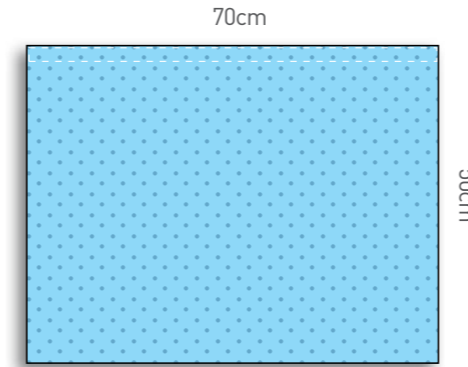
Drape Sheets without Adhesive

RE-ORDER	DESCRIPTION	CARTON QTY	NON STERILE
35-070	<b>Absorbent 3/4 Drape Sheet</b> • Drape 150cm x 180cm • Ultra reinforcement 75cm x 120cm	20	35-070NS



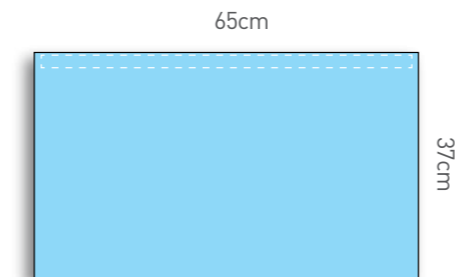
Drape Sheets with Adhesive

RE-ORDER	DESCRIPTION	CARTON QTY	NON STERILE
28-111	<b>Absorbent Pad Drape with Tape</b> • Drape 70cm x 50cm • Adhesive 70cm x 5cm • Absorbent Drape	35	ST 0039



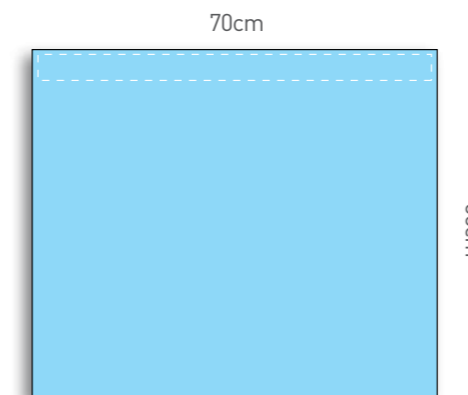
Drape Sheets with Adhesive

RE-ORDER	DESCRIPTION	CARTON QTY	NON STERILE
35-169	<b>Adhesive Drape</b> • Drape 65cm x 37cm with adhesive	70	35-169NS



Drape Sheets with Adhesive

RE-ORDER	DESCRIPTION	CARTON QTY	NON STERILE
35-153	<b>Adhesive Drape</b> • Drape 70cm x 60cm with adhesive	50	35-153NS



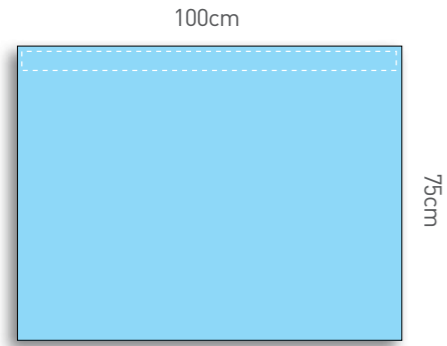
 Protex® Drapes have an absorbent top layer with an impervious backing.

PRODUCT MATERIAL KEY:



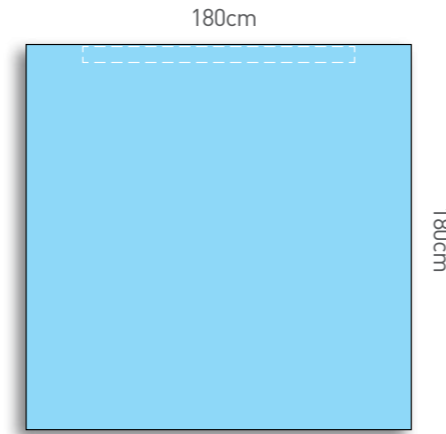
**Drape Sheets with Adhesive**

RE-ORDER	DESCRIPTION	CARTON QTY	NON STERILE
35-136	<b>Adhesive Drape</b> • Drape 100cm x 75cm with adhesive	40	35-136NS



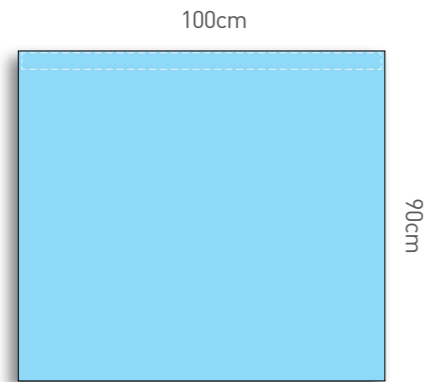
**Drape Sheets with Adhesive**

RE-ORDER	DESCRIPTION	CARTON QTY	NON STERILE
35-102	<b>Adhesive Drape</b> • Drape 180cm x 180cm • Adhesive 120cm x 4.5cm	30	35-102NS



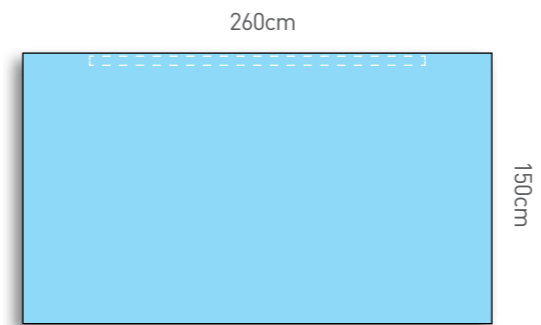
**Drape Sheets with Adhesive**

RE-ORDER	DESCRIPTION	CARTON QTY	NON STERILE
35-101	<b>Adhesive Drape</b> • Drape 100cm x 90cm with adhesive	76	35-101NS



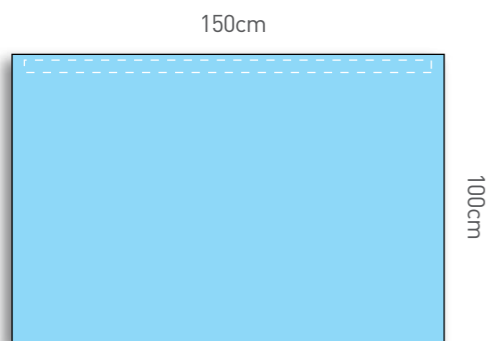
**Drape Sheets with Adhesive**

RE-ORDER	DESCRIPTION	CARTON QTY	NON STERILE
35-116	<b>Large Long Drape with Adhesive</b> • Drape 260cm x 150cm • Adhesive 166cm x 4.5cm	40	35-116NS



**Drape Sheets with Adhesive**

RE-ORDER	DESCRIPTION	CARTON QTY	NON STERILE
35-115	<b>Small Body Drape with Adhesive</b> • Drape 150cm x 100cm with adhesive	50	35-115NS



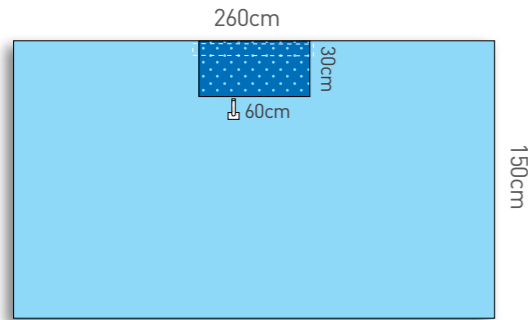
 Protex® Drapes have an absorbent top layer with an impervious backing.

PRODUCT MATERIAL KEY:



Universal Drapes

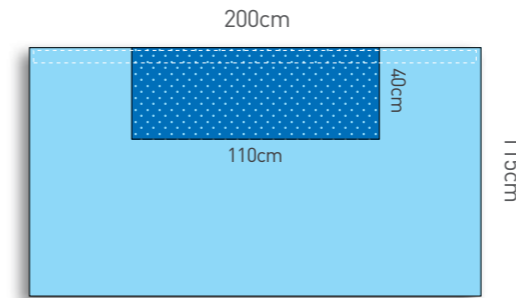
RE-ORDER	DESCRIPTION	CARTON QTY	NON STERILE
35-029	<b>Universal Top Drape with Armboard Cover</b>	20	35-029NS



- Drape 260cm x 150cm
- Ultra reinforcement 60cm x 30cm
- Adhesive 64cm x 5cm
- Tube holder / fastener

Universal Drapes

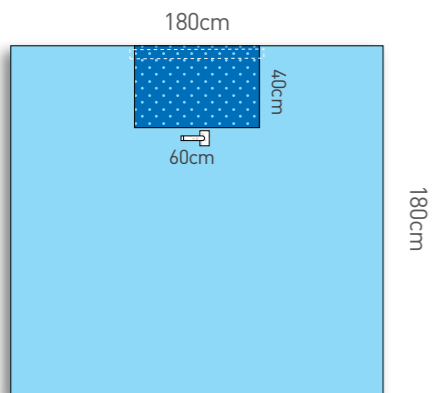
RE-ORDER	DESCRIPTION	CARTON QTY	NON STERILE
35-031	<b>Universal Side Drape - Long</b>	20	35-031NS



- Drape 200cm x 115cm
- Ultra reinforcement 110cm x 40cm
- Adhesive 200cm x 5cm

Universal Drapes

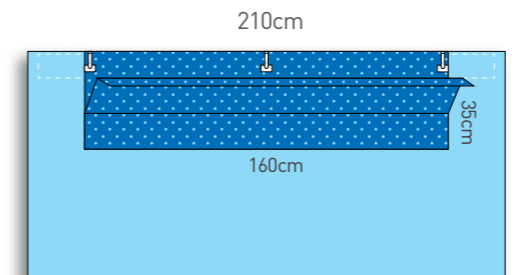
RE-ORDER	DESCRIPTION	CARTON QTY	NON STERILE
35-030	<b>Universal Bottom Drape</b>	20	35-030NS



- Drape 180cm x 180cm
- Ultra reinforcement 60cm x 37.5cm
- Adhesive 64cm x 5cm
- Tube holder / fastener

Universal Drapes

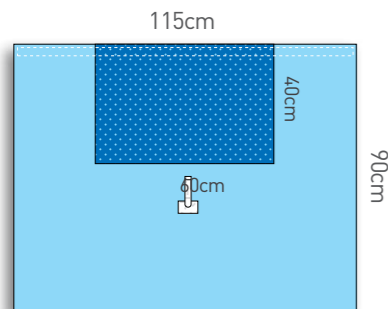
RE-ORDER	DESCRIPTION	CARTON QTY	NON STERILE
35-163	<b>Universal Side Drape with Fabric Pouch</b>	40	35-163NS



- Drape 210cm x 100cm
- Adhesive 210cm x 10cm
- Ultra reinforcement 160cm x 35cm with pouch (160cm x 20cm)
- Tube holders / fasteners

Universal Drapes

RE-ORDER	DESCRIPTION	CARTON QTY	NON STERILE
35-028	<b>Universal Side Drape - Short</b>	40	35-028NS



- Drape 115cm x 90cm
- Ultra reinforcement 60cm x 40cm
- Adhesive 114cm x 5cm
- Tube holder / fastener

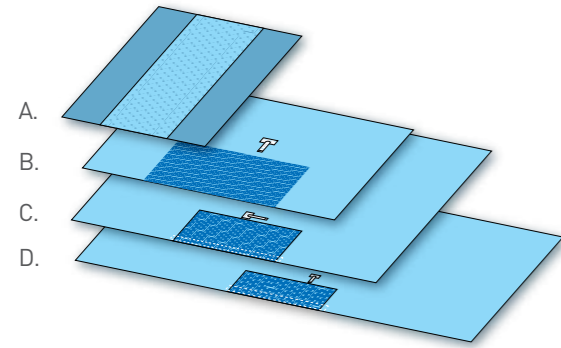
 Protex® Drapes have an absorbent top layer with an impervious backing.

PRODUCT MATERIAL KEY:



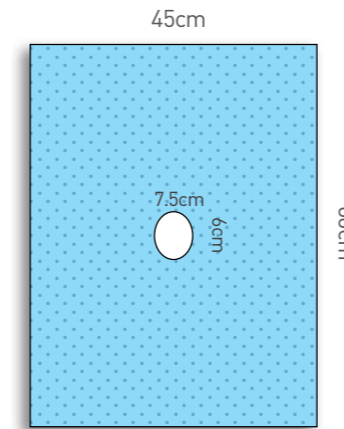
Universal Drape Sets

RE-ORDER	DESCRIPTION	CARTON QTY	NON STERILE
<b>35-176</b>	<b>Universal Drape Set - Short Sides without Mayo Cover</b>	5	
A.	1 x Back Table cover (Medium) 140cm x 230cm		PE 0003/B
B.	2 x Universal side drapes (Short) 115cm x 90cm		35-028NS
C.	1 x Universal bottom drape 180cm x 180cm		35-030NS
D.	1 x Universal top drape with armboard cover 260cm x 150cm		35-029NS



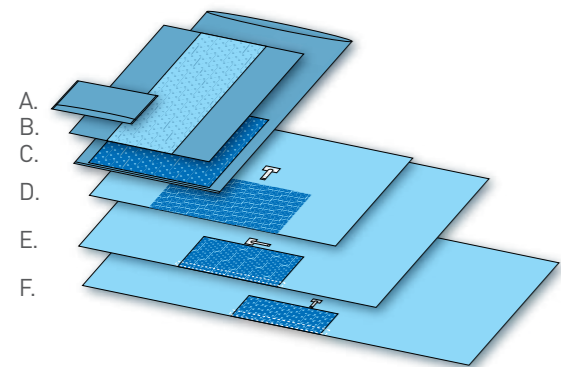
Aperture Drapes without Adhesive

RE-ORDER	DESCRIPTION	CARTON QTY	NON STERILE
<b>29-612</b>	<b>Impervious Drape with Oval Aperture</b>	120	N/A
	• Drape 45cm x 60cm		
	• Oval aperture 7.5cm x 6cm		



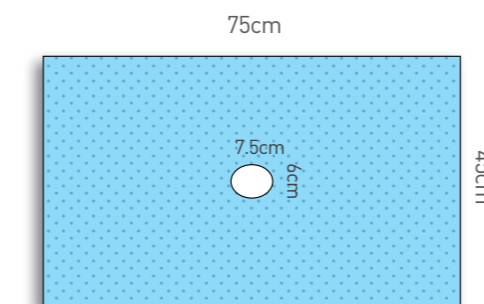
Universal Drape Sets

RE-ORDER	DESCRIPTION	CARTON QTY	NON STERILE
<b>35-022A</b>	<b>Universal Drape Set - Short Sides with Ultra Mayo Cover</b>	5	
A.	1 x Suture bag with tape 39cm x 29cm		DP 3000
B.	1 x Back table cover (Medium) 137cm x 230cm		PE 0003/B
C.	1 x Ultra Mayo cover 60cm x 137cm		35-006NS
D.	2 x Universal side drapes (Short) 115cm x 90cm		35-028NS
E.	1 x Universal bottom drape 180cm x 180cm		35-030NS
F.	1 x Universal top drape with armboard cover 260cm x 150cm		35-029NS



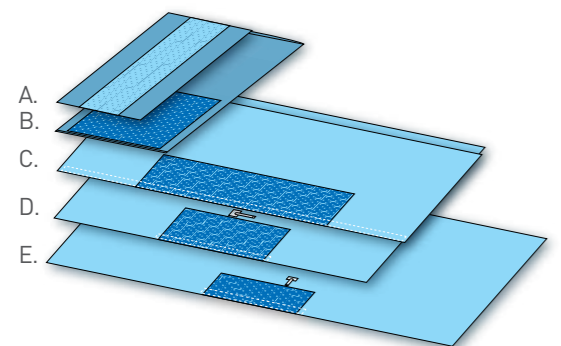
Aperture Drapes without Adhesive

RE-ORDER	DESCRIPTION	CARTON QTY	NON STERILE
<b>29-614</b>	<b>Impervious Drape with Oval Aperture</b>	120	N/A
	• Drape 75cm x 45cm		
	• Oval aperture 7.5cm x 6cm		



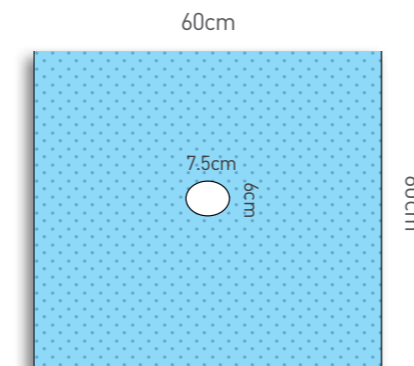
Universal Drape Sets

RE-ORDER	DESCRIPTION	CARTON QTY	NON STERILE
<b>35-021A</b>	<b>Universal Drape Set - Long Sides with Ultra Mayo Cover</b>	6	
A.	1 x Back table cover (Medium) 137cm x 230cm		PE 0003/B
B.	1 x Ultra Mayo cover 60cm x 137cm		35-006NS
C.	2 x Universal side drapes (Long) 200cm x 115cm		35-031NS
D.	1 x Universal bottom drape 180cm x 180cm		35-030NS
E.	1 x Universal top drape with armboard cover 260cm x 150cm		35-029NS



Aperture Drapes without Adhesive

RE-ORDER	DESCRIPTION	CARTON QTY	NON STERILE
<b>29-620</b>	<b>Impervious Drape with Oval Aperture</b>	100	N/A
	• Drape 60cm x 60cm		
	• Oval aperture 7.5cm x 6cm		



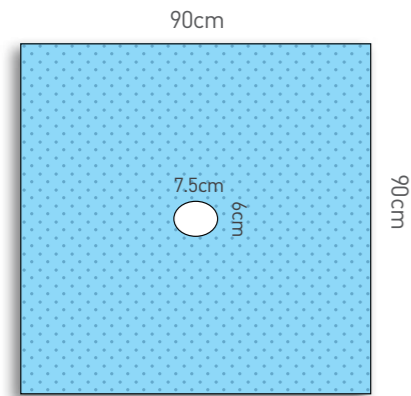
 Protex® Drapes have an absorbent top layer with an impervious backing.

PRODUCT MATERIAL KEY:



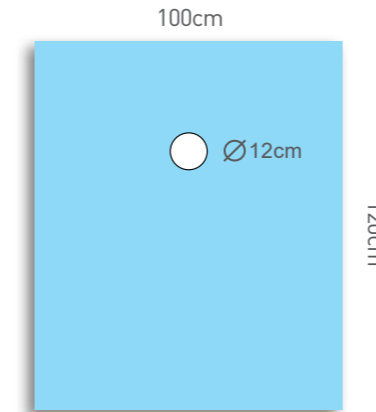
Aperture Drapes without Adhesive

RE-ORDER	DESCRIPTION	CARTON QTY	NON STERILE
29-634	<b>Impervious Drape with Oval Aperture</b> • Drape 90cm x 90cm • Oval aperture 7.5cm x 6cm	100	N/A



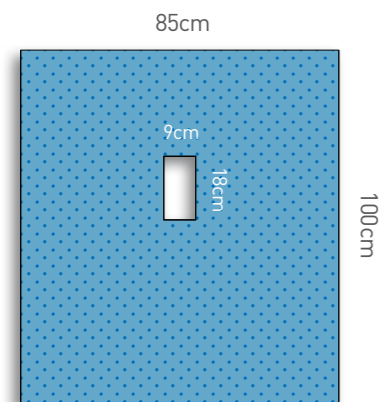
Aperture Drapes without Adhesive

RE-ORDER	DESCRIPTION	CARTON QTY	NON STERILE
35-187	<b>Impervious Drape with Round Aperture</b> • Drape 100cm x 120cm • Round aperture 12cm diameter	60	35-187NS



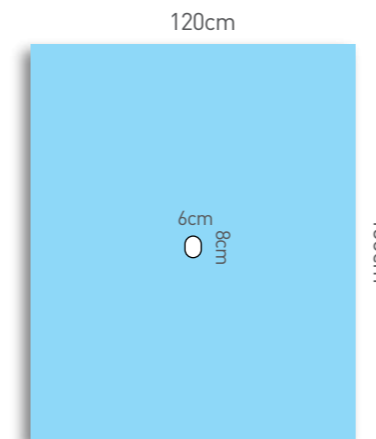
Aperture Drapes without Adhesive

RE-ORDER	DESCRIPTION	CARTON QTY	NON STERILE
28-352	<b>Fluid Resistant Small Drape with Rectangle Aperture</b> • Drape 85cm x 100cm • Rectangle aperture 9cm x 18cm	40	ST 0084



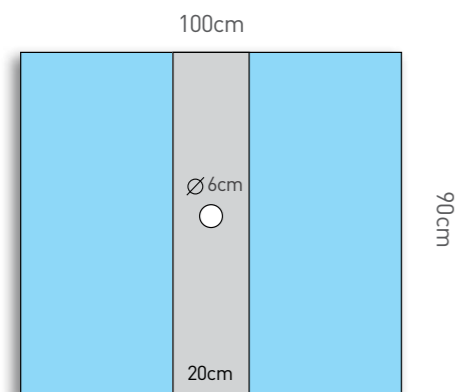
Aperture Drapes without Adhesive

RE-ORDER	DESCRIPTION	CARTON QTY	NON STERILE
35-183	<b>Impervious Drape with Oval Aperture</b> • Drape 120cm x 150cm • Oval aperture 6cm x 8cm	50	35-183NS



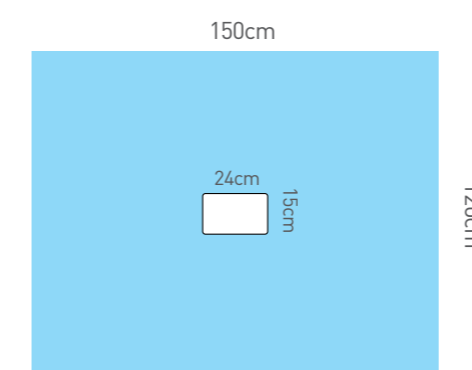
Aperture Drapes without Adhesive

RE-ORDER	DESCRIPTION	CARTON QTY	NON STERILE
35-061	<b>Impervious Central Line Insertion Kit</b> • Drape 100cm x 90cm • Round aperture 6cm diameter • Clear PE 20cm x 90cm  <b>Kit includes</b> • Central line Drape • Plain drape 40cm x 50cm • Instrument table cover 112cm x 140cm	40	35-061NS



Aperture Drapes without Adhesive

RE-ORDER	DESCRIPTION	CARTON QTY	NON STERILE
35-184	<b>Impervious Drape with Aperture</b> • Drape 150cm x 120cm • Rectangular aperture 24cm x 15cm	40	35-184NS



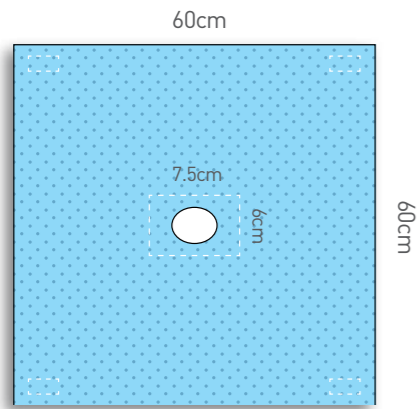
 Protex® Drapes have an absorbent top layer with an impervious backing.

PRODUCT MATERIAL KEY:



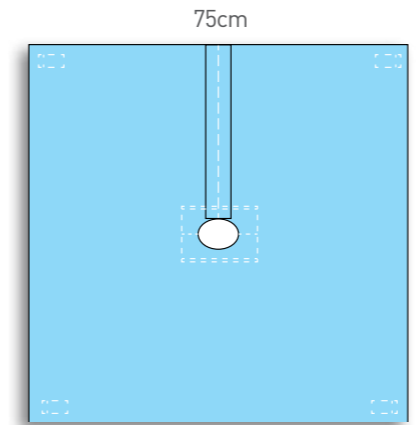
Aperture Drapes with Adhesive

RE-ORDER	DESCRIPTION	CARTON QTY	NON STERILE
29-780	<b>Impervious Drape with Adhesive Oval Aperture</b> • Drape 60cm x 60cm • Adhesive oval aperture 7.5cm x 6cm • Adhesive corners	100	DP 1302



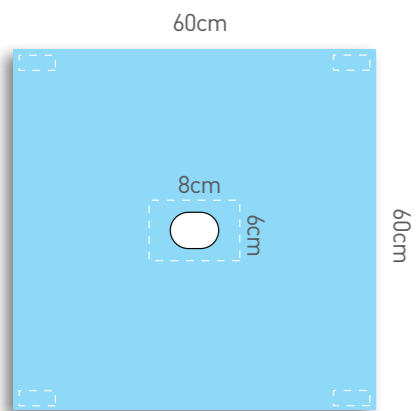
Aperture Drapes with Adhesive

RE-ORDER	DESCRIPTION	CARTON QTY	NON STERILE
35-065	<b>Impervious Drape with Adhesive Oval Aperture + Split</b> • Drape 75cm x 75cm • Adhesive oval aperture 8cm x 6cm • Adhesive corner tabs • Tear line for easy drape removal	50	35-065NS



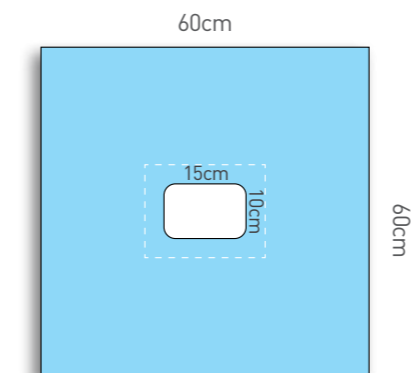
Aperture Drapes with Adhesive

RE-ORDER	DESCRIPTION	CARTON QTY	NON STERILE
35-134	<b>Impervious Drape with Adhesive Oval Aperture</b> • Drape 60cm x 60cm • Adhesive oval aperture 8cm x 6cm • Adhesive corners	100	35-134NS



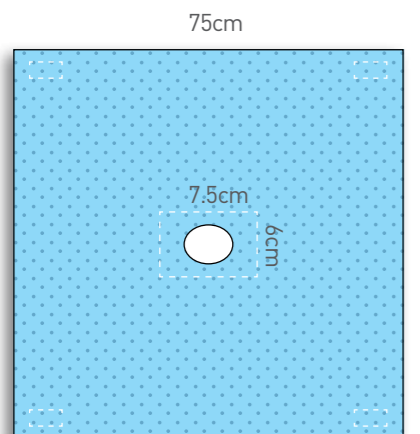
Aperture Drapes with Adhesive

RE-ORDER	DESCRIPTION	CARTON QTY	NON STERILE
35-133	<b>Impervious Drape with Adhesive Aperture</b> • Drape 60cm x 60cm • Adhesive aperture 15cm x 10cm	50	35-133NS



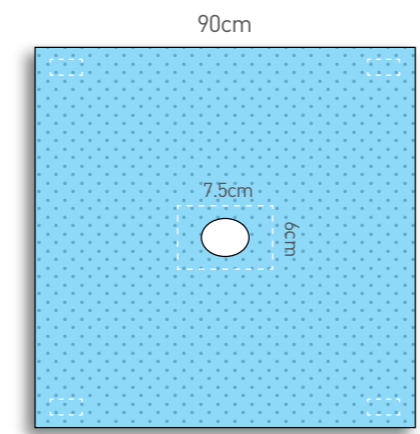
Aperture Drapes with Adhesive

RE-ORDER	DESCRIPTION	CARTON QTY	NON STERILE
29-788	<b>Impervious Drape with Adhesive Oval Aperture</b> • Drape 75cm x 75cm • Adhesive oval aperture 7.5cm x 6cm • Adhesive corners	100	DP 1295



Aperture Drapes with Adhesive

RE-ORDER	DESCRIPTION	CARTON QTY	NON STERILE
29-794	<b>Impervious Drape with Adhesive Oval Aperture</b> • Drape 90cm x 90cm • Adhesive oval aperture 7.5cm x 6cm • Adhesive corners	100	29-794NS



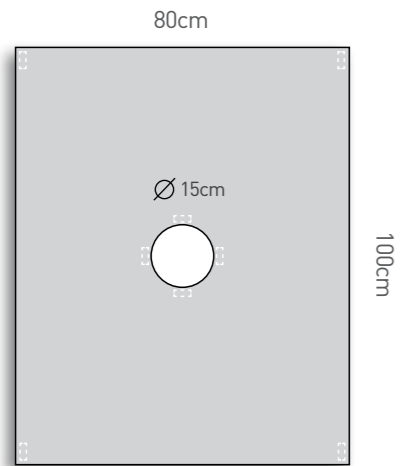
 Protex® Drapes have an absorbent top layer with an impervious backing.

PRODUCT MATERIAL KEY:



Aperture Drapes with Adhesive

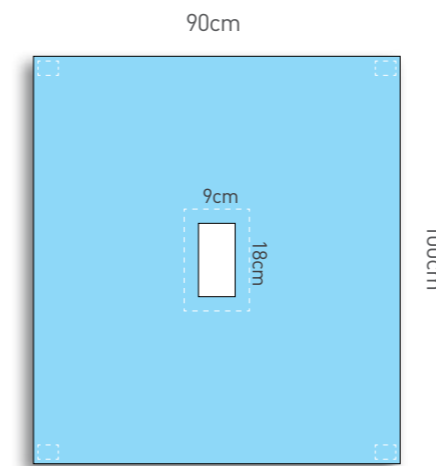
RE-ORDER	DESCRIPTION	CARTON QTY	NON STERILE
35-165	<b>Epidural Drape</b>	50	35-165NS



- Drape 80cm x 100cm
- Round aperture 15cm diameter with adhesive tabs
- Clear PE material
- Adhesive corner tabs

Aperture Drapes with Adhesive

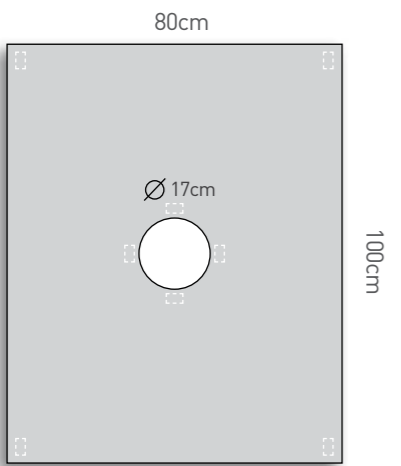
RE-ORDER	DESCRIPTION	CARTON QTY	NON STERILE
35-145	<b>Spinal Drape with Adhesive Aperture</b>	50	35-145NS



- Drape 90cm x 100cm
- Adhesive rectangle aperture 9cm x 18cm
- Adhesive corner tabs

Aperture Drapes with Adhesive

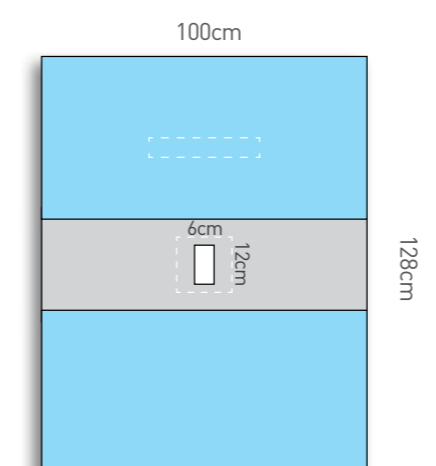
RE-ORDER	DESCRIPTION	CARTON QTY	NON STERILE
35-100	<b>Impervious Epidural Drape with Adhesive Round Aperture</b>	50	35-100NS



- Drape 80cm x 100cm
- Round aperture 17cm diameter with adhesive tabs
- Clear PE material
- Adhesive corner tabs

Aperture Drapes with Adhesive

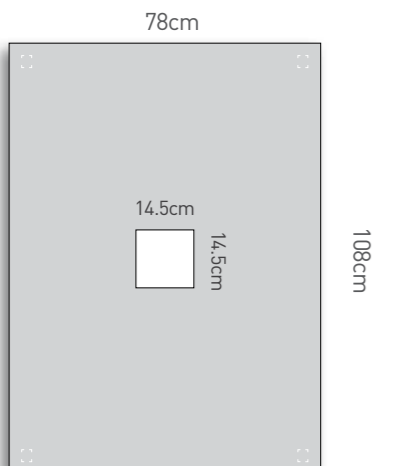
RE-ORDER	DESCRIPTION	CARTON QTY	NON STERILE
35-141	<b>Epidural Drape Clear with Adhesive Aperture</b>	40	35-141NS



- Drape 100cm x 128cm
- Adhesive rectangular aperture 6cm x 12cm
- Adhesive positioning tape
- Clear PE 100cm x 28cm

Aperture Drapes with Adhesive

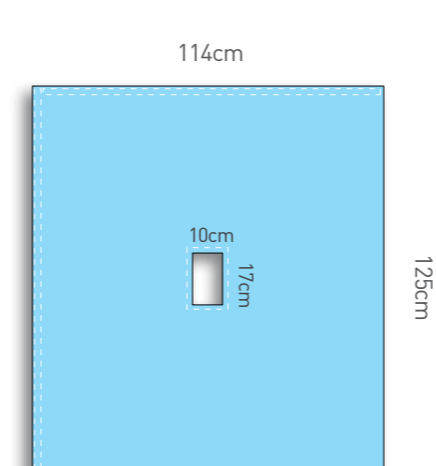
RE-ORDER	DESCRIPTION	CARTON QTY	NON STERILE
29-942	<b>Plastic Drape with Aperture</b>	100	DP 1577



- Drape 78cm x 108cm
- Square aperture 14.5cm x 14.5cm
- Adhesive corner tabs

Aperture Drapes with Adhesive

RE-ORDER	DESCRIPTION	CARTON QTY	NON STERILE
35-026	<b>Impervious Epidural Drape with Adhesive Rectangle Aperture</b>	20	35-026NS



- Drape 114cm x 125cm
- Adhesive rectangle aperture 10cm x 17cm
- Adhesive securing tapes



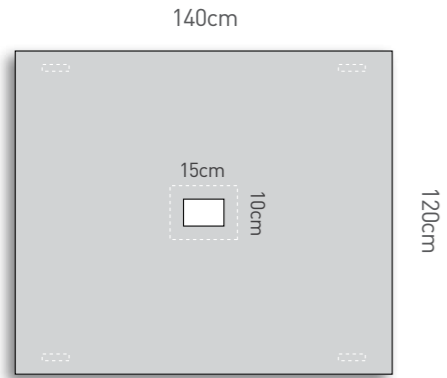
 Protex® Drapes have an absorbent top layer with an impervious backing.

PRODUCT MATERIAL KEY:



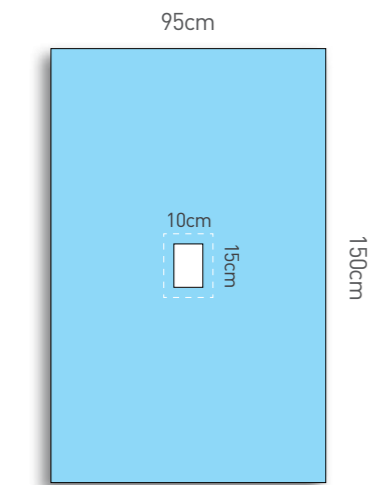
Aperture Drapes with Adhesive

RE-ORDER	DESCRIPTION	CARTON QTY	NON STERILE
22-213	<b>Epidural Drape Clear PE</b> • Drape 140cm x 120cm • Adhesive aperture 15cm x 10cm • Clear PE material	100	DP 1752



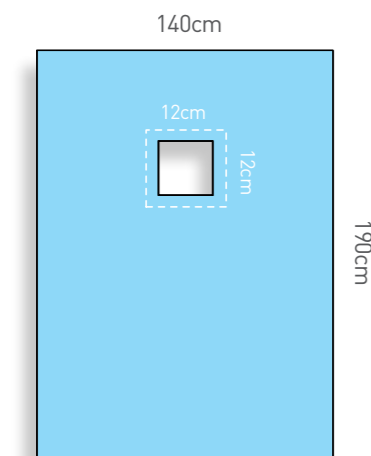
Aperture Drapes with Adhesive

RE-ORDER	DESCRIPTION	CARTON QTY	NON STERILE
35-142	<b>Impervious Drape with Adhesive Aperture</b> • Drape 95cm x 150cm • Adhesive aperture 10cm x 15cm	30	35-142NS



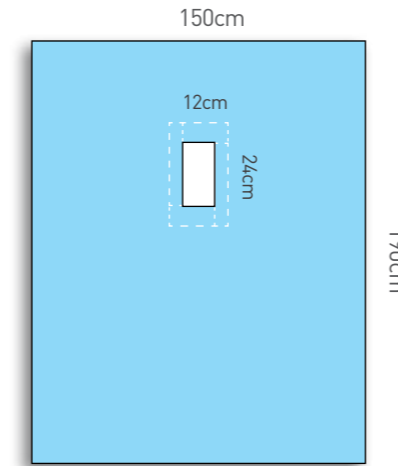
Aperture Drapes with Adhesive

RE-ORDER	DESCRIPTION	CARTON QTY	NON STERILE
35-206	<b>CVC Drape with Adhesive Square Aperture</b> • Drape 140cm x 190cm • Adhesive square aperture 12cm x 12cm	30	35-206NS



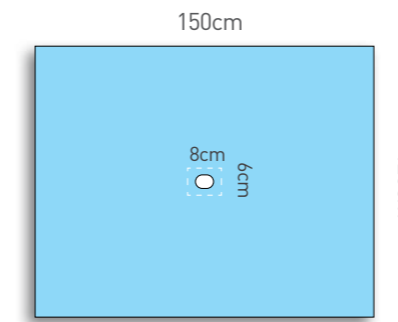
Aperture Drapes with Adhesive

RE-ORDER	DESCRIPTION	CARTON QTY	NON STERILE
35-106	<b>Impervious Drape with Adhesive Rectangle Aperture</b> • Drape 150cm x 190cm • Adhesive rectangle aperture 12cm x 24cm	60	35-106NS



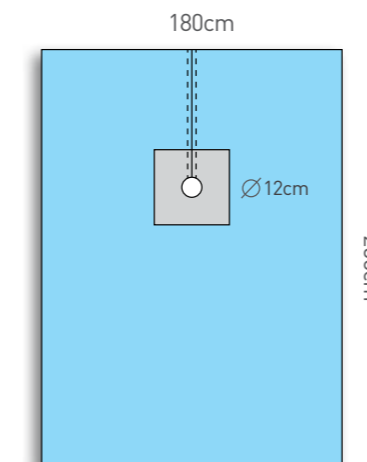
Aperture Drapes with Adhesive

RE-ORDER	DESCRIPTION	CARTON QTY	NON STERILE
35-140	<b>Impervious Drape with Adhesive Oval Aperture</b> • Drape 150cm x 120cm • Adhesive oval aperture 8cm x 6cm	50	35-140NS



Aperture Drapes with Adhesive

RE-ORDER	DESCRIPTION	CARTON QTY	NON STERILE
35-087	<b>Impervious CVC Drape with Tear Line</b> • CVC drape 180cm x 250cm with tear line • Round aperture 12cm diameter with adhesive • Clear PE 45cm x 45cm	20	35-087NS



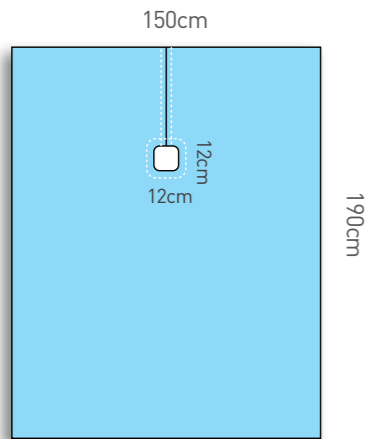
 Protex® Drapes have an absorbent top layer with an impervious backing.

PRODUCT MATERIAL KEY:



Aperture Drapes with Adhesive

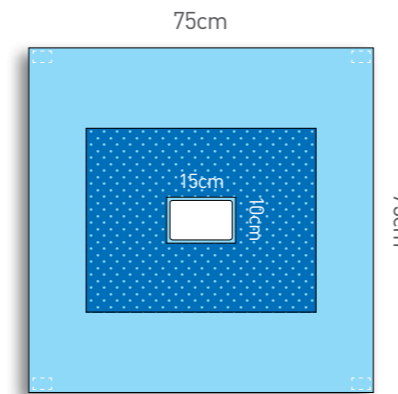
RE-ORDER	DESCRIPTION	CARTON QTY	NON STERILE
35-117	<b>CVC Drape with Adhesive Split Aperture</b>	30	35-117NS



- Drape 150cm x 190cm
- Aperture adhesive 12cm x 12cm
- Tear line for easy drape removal

Aperture Drapes with Reinforcement and Adhesive

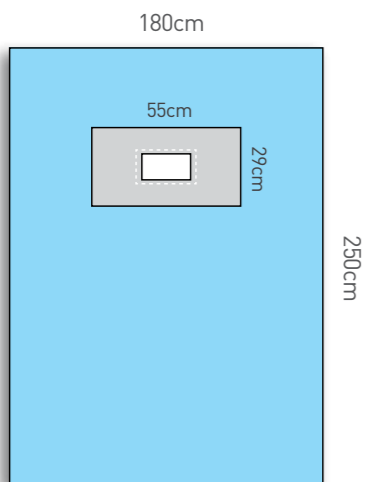
RE-ORDER	DESCRIPTION	CARTON QTY	NON STERILE
35-143	<b>Impervious Medical Imaging Drape with Adhesive Rectangle Aperture</b>	50	35-143NS



- Drape 75cm x 75cm
- Ultra reinforcement 50cm x 40cm
- Adhesive aperture 15cm x 10cm
- Adhesive corner tabs

Aperture Drapes with Adhesive

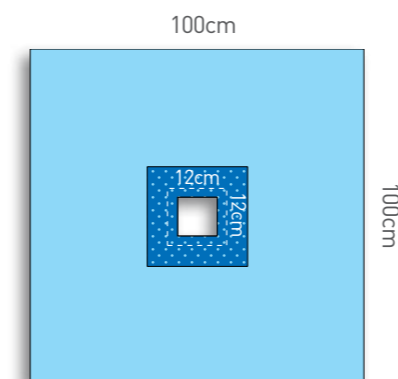
RE-ORDER	DESCRIPTION	CARTON QTY	NON STERILE
35-052	<b>Impervious PICC Drape with Clear Rectangle Aperture</b>	12	35-052NS



- Drape 180cm x 250cm
- Clear rectangle aperture 15cm x 8cm with adhesive
- Clear PE 55cm x 29cm

Aperture Drapes with Reinforcement and Adhesive

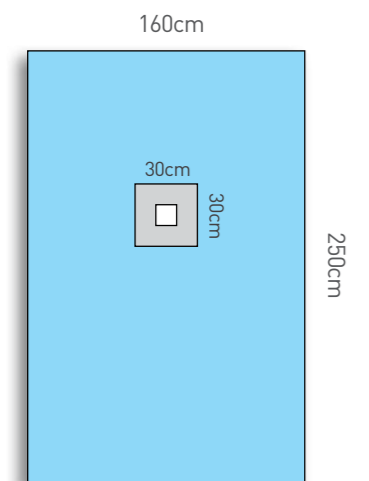
RE-ORDER	DESCRIPTION	CARTON QTY	NON STERILE
35-024	<b>Impervious Medical Imaging Drape with Adhesive Square Aperture</b>	20	35-024NS



- Drape 100cm x 100cm
- Ultra reinforcement 30cm x 30cm
- Adhesive square aperture 12cm x 12cm

Aperture Drapes with Adhesive

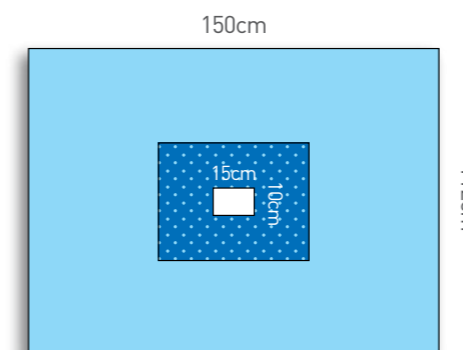
RE-ORDER	DESCRIPTION	CARTON QTY	NON STERILE
35-058A	<b>CVL Insertion Drape</b>	26	35-058NS



- Drape 160cm x 250cm
- Adhesive aperture 10cm x 10cm
- Clear PE 30cm x 30cm

Aperture Drapes with Reinforcement and Adhesive

RE-ORDER	DESCRIPTION	CARTON QTY	NON STERILE
35-063	<b>Impervious Medical Imaging Drape with Adhesive Rectangular Aperture</b>	20	35-063NS



- Drape 150cm x 112cm
- Ultra reinforcement 55cm x 43cm
- Adhesive rectangle aperture 15cm x 10cm

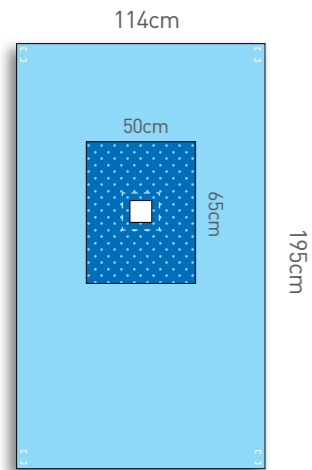
 Protex® Drapes have an absorbent top layer with an impervious backing.

PRODUCT MATERIAL KEY:



Aperture Drapes with Reinforcement and Adhesive

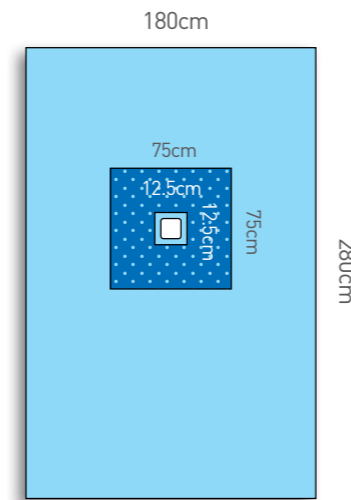
RE-ORDER	DESCRIPTION	CARTON QTY	NON STERILE
----------	-------------	------------	-------------



RE-ORDER	DESCRIPTION	CARTON QTY	NON STERILE
35-132	<b>Impervious Medical Imaging Drape with Adhesive Square Aperture</b> • Drape 114cm x 195cm • Ultra reinforcement 50cm x 65cm • Adhesive aperture 10cm x 10cm • Adhesive corner tabs	40	35-132NS

Aperture Drapes with Reinforcement and Adhesive

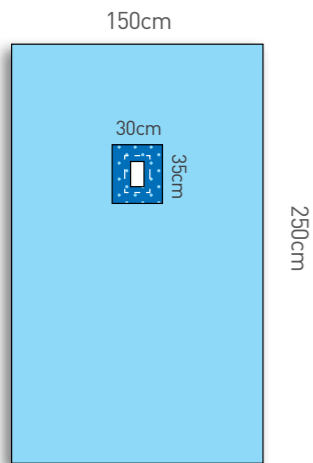
RE-ORDER	DESCRIPTION	CARTON QTY	NON STERILE
----------	-------------	------------	-------------



RE-ORDER	DESCRIPTION	CARTON QTY	NON STERILE
35-149	<b>CVC Drape Adhesive Aperture</b> • Drape 180cm x 280cm • Ultra reinforcement 75cm x 75cm • Adhesive square aperture 12.5cm x 12.5cm	16	35-149NS

Aperture Drapes with Reinforcement and Adhesive

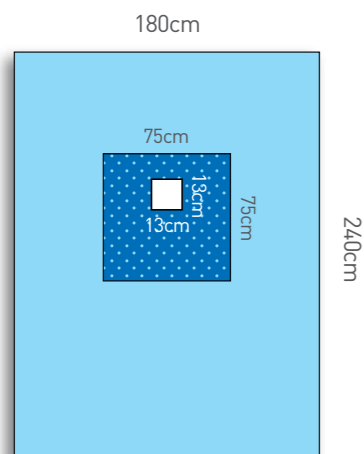
RE-ORDER	DESCRIPTION	CARTON QTY	NON STERILE
----------	-------------	------------	-------------



RE-ORDER	DESCRIPTION	CARTON QTY	NON STERILE
35-144	<b>Impervious Drape with Adhesive Rectangle Aperture</b> • Drape 150cm x 250cm • Ultra reinforcement 30cm x 35cm • Adhesive rectangle aperture 8cm x 15cm	24	35-144NS

Aperture Drapes with Reinforcement and Adhesive

RE-ORDER	DESCRIPTION	CARTON QTY	NON STERILE
----------	-------------	------------	-------------



RE-ORDER	DESCRIPTION	CARTON QTY	NON STERILE
35-076	<b>CVC Drape</b> • Drape 180cm x 240cm • Ultra reinforcement 75cm x 75cm • Adhesive aperture 13cm x 13cm	20	35-076NS

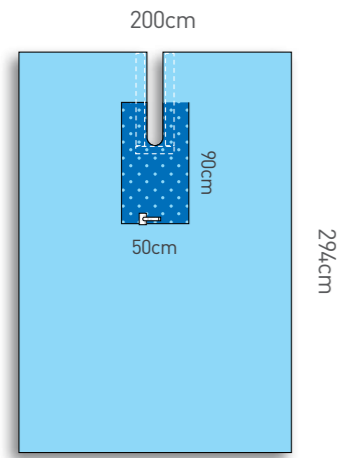
 Protex® Drapes have an absorbent top layer with an impervious backing.

PRODUCT MATERIAL KEY:



Split Drapes

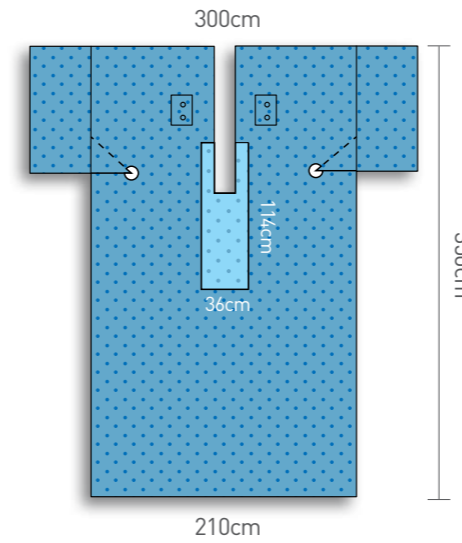
RE-ORDER	DESCRIPTION	CARTON QTY	NON STERILE
----------	-------------	------------	-------------



35-017	<b>Drape with Adhesive U-Split</b>	10	35-017NS
	<ul style="list-style-type: none"> <li>• Drape 200cm x 294cm</li> <li>• Ultra reinforcement 50cm x 90cm</li> <li>• Adhesive U-Split 11.5cm x 69cm</li> <li>• Tube holder / fastener</li> </ul>		

Split Drapes

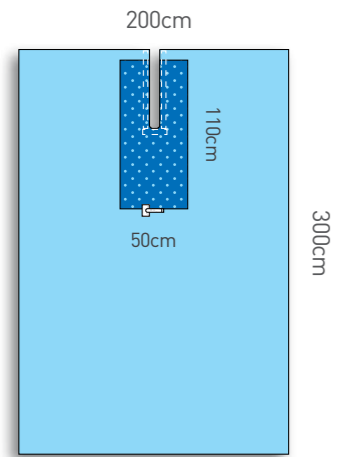
RE-ORDER	DESCRIPTION	CARTON QTY	NON STERILE
----------	-------------	------------	-------------



28-382	<b>Orthopaedic Split T-Drape</b>	10	ST 0081
	<ul style="list-style-type: none"> <li>• Drape 300(210)cm x 350cm</li> <li>• Split 10cm x 117cm</li> <li>• Reinforcement 36cm x 114cm</li> <li>• Cord/Tube holders</li> </ul>		

Split Drapes

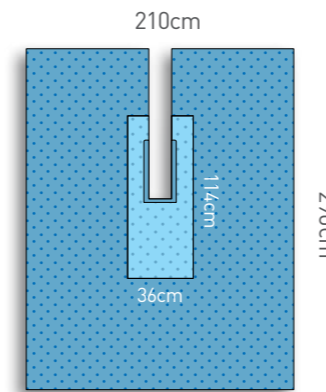
RE-ORDER	DESCRIPTION	CARTON QTY	NON STERILE
----------	-------------	------------	-------------



35-016	<b>Drape with Adhesive Split</b>	12	35-016NS
	<ul style="list-style-type: none"> <li>• Drape 200cm x 300cm</li> <li>• Ultra reinforcement 50cm x 110cm</li> <li>• Adhesive U-Split 7.5cm x 58cm</li> <li>• Tube holder / fastener</li> </ul>		

Split Drapes

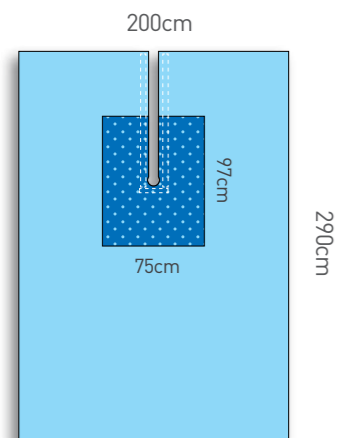
RE-ORDER	DESCRIPTION	CARTON QTY	NON STERILE
----------	-------------	------------	-------------



28-555	<b>Orthopaedic Split Drape</b>	11	ST 0018
	<ul style="list-style-type: none"> <li>• Drape 210cm x 290cm</li> <li>• Split 10cm x 117cm</li> <li>• Reinforcement 36cm x 114cm</li> </ul>		

Split Drapes

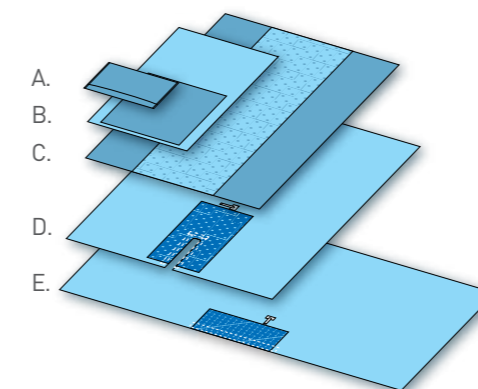
RE-ORDER	DESCRIPTION	CARTON QTY	NON STERILE
----------	-------------	------------	-------------



35-025	<b>Drape with Adhesive Keyhole Split</b>	6	35-025NS
	<ul style="list-style-type: none"> <li>• Drape 200cm x 290cm</li> <li>• Ultra reinforcement 75cm x 97cm</li> <li>• Adhesive keyhole split 7cm x 100cm</li> </ul>		

Split Drape Sets

RE-ORDER	DESCRIPTION	CARTON QTY	NON STERILE
----------	-------------	------------	-------------



40-755	<b>U-Drape Pack</b>	6	
A.	1 x Suture bag with tape 39cm x 29cm		DP 3000
B.	1 x Mayo cover (Medium) 58.5cm x 114cm		PE 0001
C.	1 x Back table cover (Medium) 137cm x 230cm		PE0003/B
D.	1 x Drape 200 x 300cm with split 7.5 x 58cm		35-016NS
E.	1 x Drape universal top with armboard cover 260cm x 150cm		35-029NS

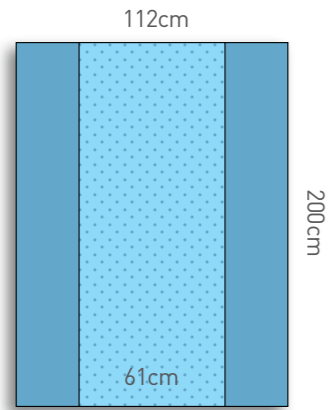
 Protex® Drapes have an absorbent top layer with an impervious backing.

PRODUCT MATERIAL KEY:



Back Table Covers

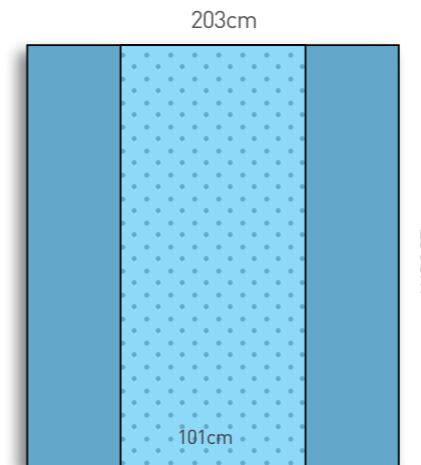
RE-ORDER	DESCRIPTION	CARTON QTY	NON STERILE
----------	-------------	------------	-------------



28-617	<b>Small Back Table Cover Reinforced</b> • Back table cover 112cm x 200cm • Reinforcement 61cm x 200cm	40	PE 0004
--------	--	----	---------

Back Table Covers

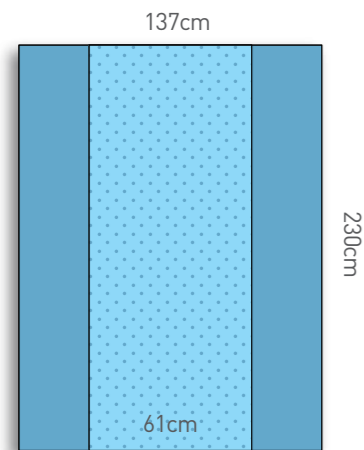
RE-ORDER	DESCRIPTION	CARTON QTY	NON STERILE
----------	-------------	------------	-------------



28-612	<b>Large Back Table Cover Reinforced</b> • Back table cover 203cm x 230cm • Reinforcement 101cm x 230cm	22	PE 0005
--------	---	----	---------

Back Table Covers

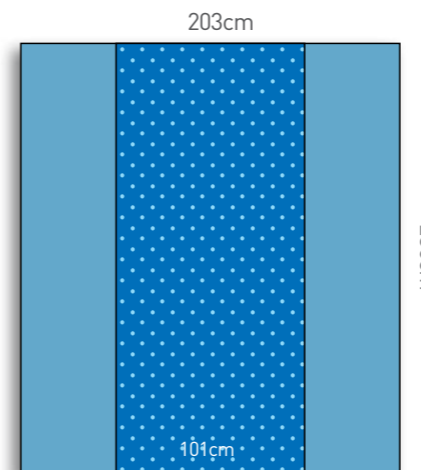
RE-ORDER	DESCRIPTION	CARTON QTY	NON STERILE
----------	-------------	------------	-------------



28-616	<b>Medium Back Table Cover Reinforced</b> • Back table cover 137cm x 230cm • Reinforcement 61cm x 230cm	38	PE 0003
--------	---	----	---------

Back Table Covers

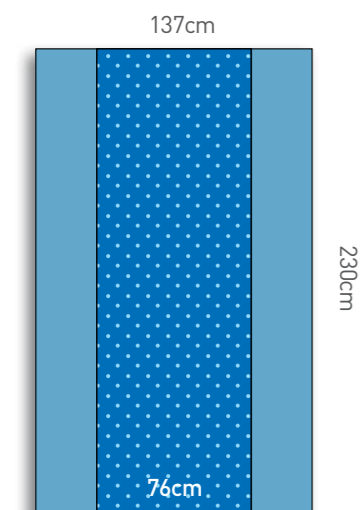
RE-ORDER	DESCRIPTION	CARTON QTY	NON STERILE
----------	-------------	------------	-------------



28-368	<b>Large Heavy Duty Back Table Cover Reinforced</b> • Back table cover 203cm x 230cm • Reinforcement 101cm x 230cm	20	PE 0105
--------	--	----	---------

Back Table Covers

RE-ORDER	DESCRIPTION	CARTON QTY	NON STERILE
----------	-------------	------------	-------------



28-606	<b>Medium Heavy Duty Back Table Cover Reinforced</b> • Back table cover 137cm x 230cm • Reinforcement 76cm x 230cm	20	PE 0103
--------	--	----	---------

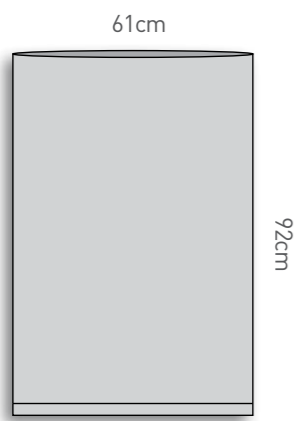
 Protex® Drapes have an absorbent top layer with an impervious backing.

PRODUCT MATERIAL KEY:



Mayo Covers

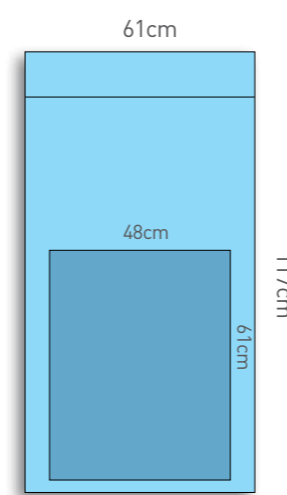
RE-ORDER	DESCRIPTION	CARTON QTY	NON STERILE
----------	-------------	------------	-------------



22-212	<b>Mayo Cover</b> • 61cm x 92cm Clear plastic	100	DP 1624
--------	---	-----	---------

Mayo Covers

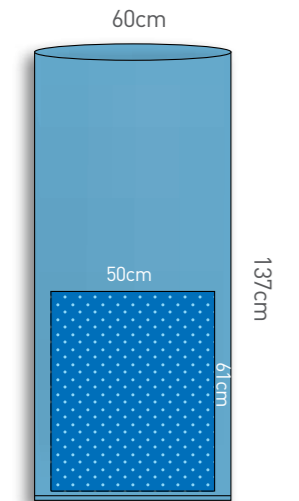
RE-ORDER	DESCRIPTION	CARTON QTY	NON STERILE
----------	-------------	------------	-------------



28-380	<b>Medium Mayo Cover - Double Wrap</b> • Drape 61cm x 117cm • Reinforcement 48cm x 61cm	30	PE 0001
--------	---	----	---------

Mayo Covers

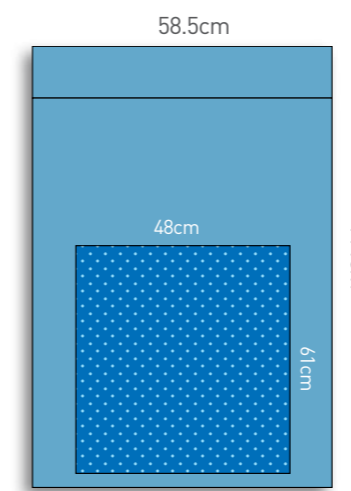
RE-ORDER	DESCRIPTION	CARTON QTY	NON STERILE
----------	-------------	------------	-------------



35-006	<b>Mayo Cover Ultra</b> • Drape 60cm x 137cm • Ultra reinforcement 50cm x 61cm	30	35-006NS
--------	--	----	----------

Mayo Covers

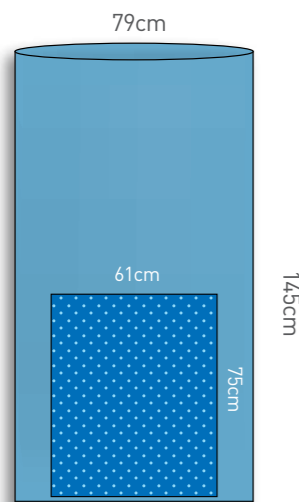
RE-ORDER	DESCRIPTION	CARTON QTY	NON STERILE
----------	-------------	------------	-------------



28-377	<b>Medium Heavy Duty Mayo Cover - Double Wrap</b> • Drape 58.5cm x 114cm • Reinforcement 48cm x 61cm	30	PE 0101
--------	--	----	---------

Mayo Covers

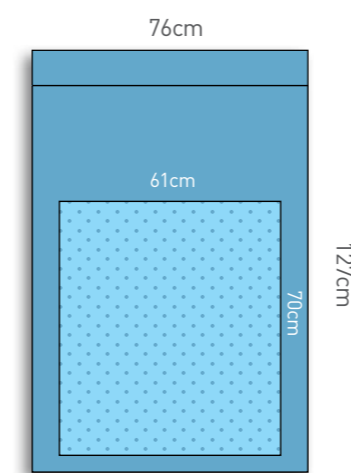
RE-ORDER	DESCRIPTION	CARTON QTY	NON STERILE
----------	-------------	------------	-------------



35-007	<b>Mayo Cover Ultra</b> • Drape 79cm x 145cm • Ultra reinforcement 61cm x 75cm	25	35-007NS
--------	--	----	----------

Mayo Covers

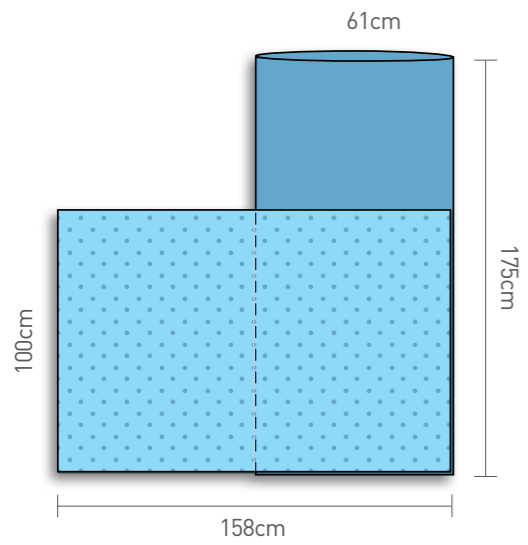
RE-ORDER	DESCRIPTION	CARTON QTY	NON STERILE
----------	-------------	------------	-------------



28-501	<b>Large Mayo Cover - Double Wrap</b> • Drape 76cm x 127cm • Reinforcement 61cm x 70cm	25	PE 0006
--------	--	----	---------

 Protex® Drapes have an absorbent top layer with an impervious backing.

**Mayo Covers** RE-ORDER DESCRIPTION CARTON QTY NON STERILE



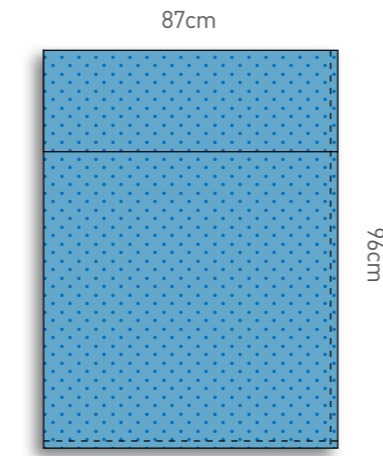
35-037	<b>Mayo Cover - Cardiac</b> • Drape 79cm x 175cm • Reinforcement 158cm x 100cm	25	35-037NS
--------	--	----	----------

PRODUCT MATERIAL KEY:



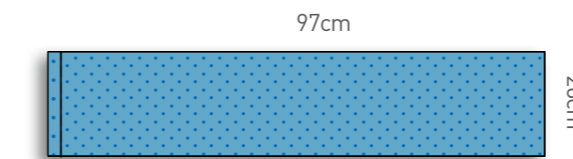
**Stockinette and Leggings** RE-ORDER DESCRIPTION CARTON QTY NON STERILE

28-200	<b>Bariatric Leggings Double Large</b> • 87cm x 96cm (Pair)	36	ST 0228
--------	--	----	---------



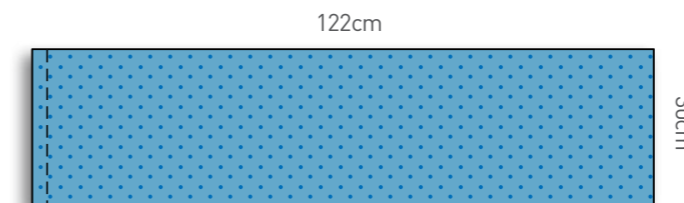
**Stockinette and Leggings** RE-ORDER DESCRIPTION CARTON QTY NON STERILE

28-201	<b>Medium Impervious Stockinette</b> • 97cm x 20cm	30	PE 0011
--------	---	----	---------



**Stockinette and Leggings** RE-ORDER DESCRIPTION CARTON QTY NON STERILE

28-202	<b>Large Impervious Stockinette</b> • 122cm x 30cm	20	PE 0009
--------	---	----	---------

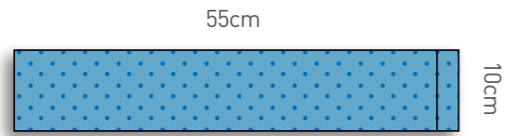


 Protex® Drapes have an absorbent top layer with an impervious backing.

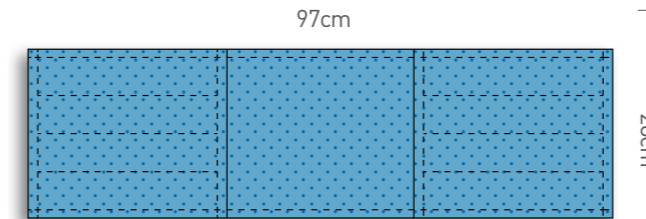
PRODUCT MATERIAL KEY:



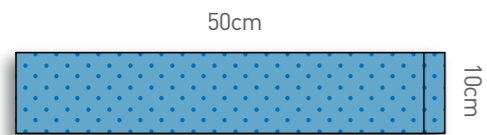
Drape Accessories	RE-ORDER	DESCRIPTION	CARTON QTY	NON STERILE
	28-500	<b>Drape Tape</b> • 55cm x 10cm	200	ST 0028



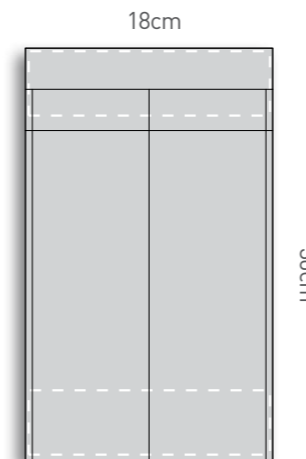
Drape Accessories	RE-ORDER	DESCRIPTION	CARTON QTY	NON STERILE
	35-068	<b>Saddle Bag</b> • 97cm x 28cm • Fabric fastener strips for adjustable lengths	40	35-068NS



Drape Accessories	RE-ORDER	DESCRIPTION	CARTON QTY	NON STERILE
	35-041	<b>Drape Tape OR</b> • 50cm x 10cm	200	35-041NS



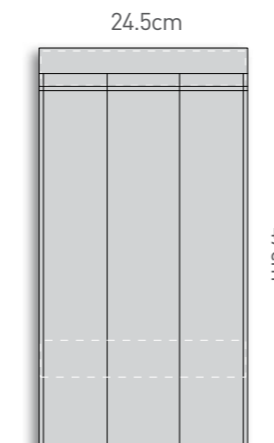
Drape Accessories	RE-ORDER	DESCRIPTION	CARTON QTY	NON STERILE
	35-002	<b>Instrument Pouch</b> • Pouch 18cm x 30cm • Dual instrument pouches • Adhesive backing	40	35-002NS



Drape Accessories	RE-ORDER	DESCRIPTION	CARTON QTY	NON STERILE
	35-094	<b>Tube Holder Fastener</b> • 2.5cm x 12.5cm • X-Ray detectable • Adhesive backing	200	DP 0790



Drape Accessories	RE-ORDER	DESCRIPTION	CARTON QTY	NON STERILE
	35-003	<b>Instrument Pouch</b> • Pouch 24.5cm x 47cm • 3 instrument pouches • Adhesive backing	40	35-003NS



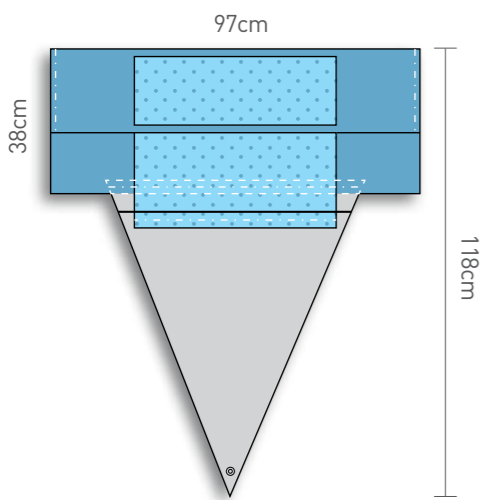


 Protex® Drapes have an absorbent top layer with an impervious backing.

PRODUCT MATERIAL KEY:

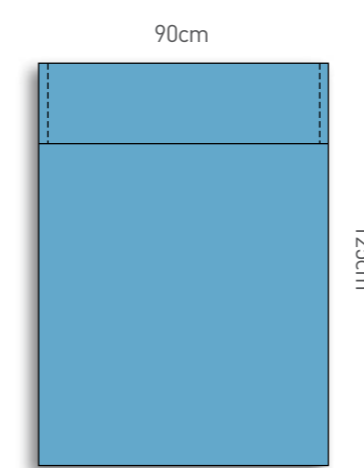


Fluid Pouches



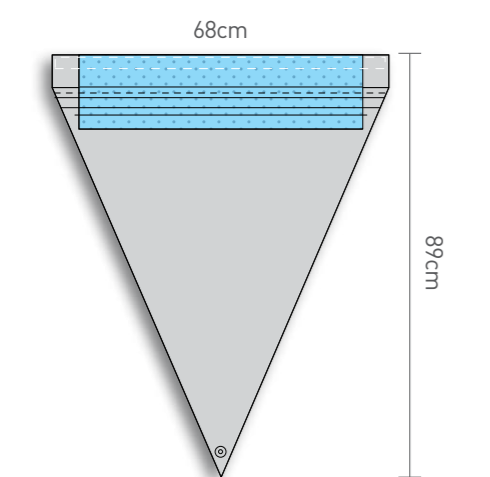
RE-ORDER	DESCRIPTION	CARTON QTY	NON STERILE
28-571	<b>Under Buttocks Drape with Pouch</b> • Drape 97cm x 38cm • Pouch 68cm x 77cm • Reinforcements 53cm x 18cm, 53cm x 25cm	20	PE 0017

Fluid Pouches



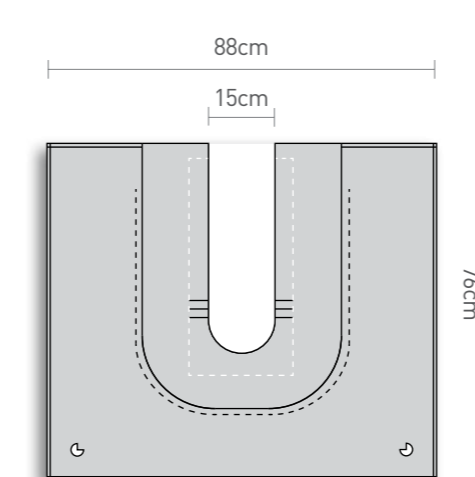
RE-ORDER	DESCRIPTION	CARTON QTY	NON STERILE
35-109	<b>Under Buttocks Drape</b> • Drape 90cm x 125cm • Cuff for sterile application • Impervious poly material	25	35-109NS

Fluid Pouches



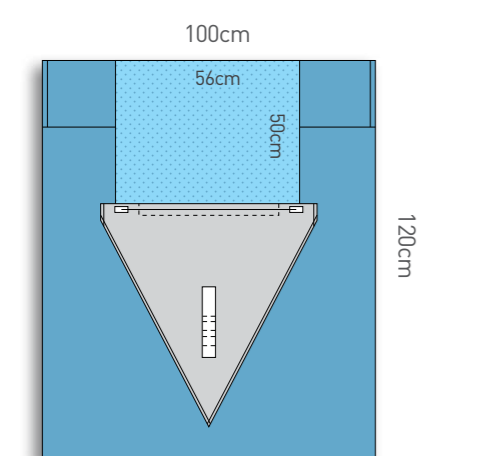
RE-ORDER	DESCRIPTION	CARTON QTY	NON STERILE
28-572	<b>V-Collection Pouch with Adhesive</b> • Pouch 68cm x 89cm • Reinforcement 53cm x 18cm • Adhesive backing	50	PE 0018

Fluid Pouches



RE-ORDER	DESCRIPTION	CARTON QTY	NON STERILE
35-078	<b>Fluid Collection Pouch Drape</b> • Drape 88cm x 76cm • Adhesive split 15cm x 47cm • Suction ports x2	40	35-078NS

Fluid Pouches

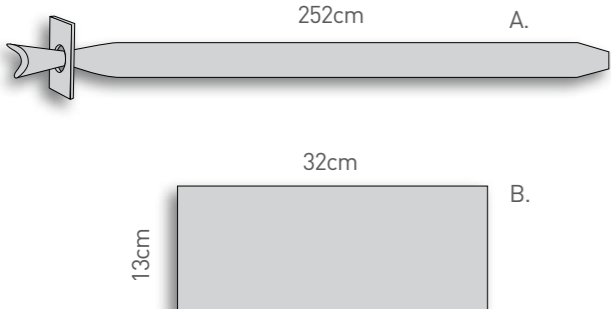


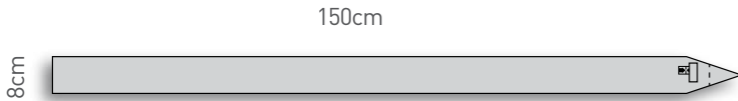
RE-ORDER	DESCRIPTION	CARTON QTY	NON STERILE
35-099	<b>Under Buttocks Drape with Pouch</b> • Drape 100cm x 120cm • Fluid collection pouch 65cm x 67cm • Cuff for sterile application • Ultra reinforcement 56cm x 50cm • Fluid measurement guide	30	35-099NS

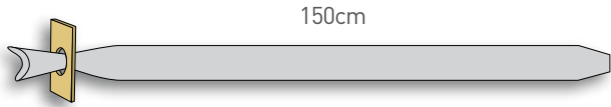
 Protex® Drapes have an absorbent top layer with an impervious backing.

PRODUCT MATERIAL KEY:



Probe Covers	RE-ORDER	DESCRIPTION	CARTON QTY	NON STERILE
	<b>35-038</b>	<b>Transducer Cover Set</b>	50	35-038NS
		<ul style="list-style-type: none"> <li>Cover 150cm x 8cm</li> <li>Perforated tip</li> <li>Adhesive securing tab</li> <li>Clear PE material</li> </ul> <p>A.</p> <ul style="list-style-type: none"> <li>Transducer cover bag 252cm x 15cm</li> <li>Clear PE material</li> <li>Probe fastener</li> </ul> <p>B.</p> <ul style="list-style-type: none"> <li>Transducer cover bag 32cm x 13cm</li> <li>Soft, clear PE material</li> </ul>		

Probe Covers	RE-ORDER	DESCRIPTION	CARTON QTY	NON STERILE
	<b>35-093</b>	<b>Dental Drill Cover</b>	50	35-093NS
		<ul style="list-style-type: none"> <li>Cover 150cm x 8cm</li> <li>Perforated tip</li> <li>Adhesive securing tab</li> <li>Clear PE material</li> </ul>		

Probe Covers	RE-ORDER	DESCRIPTION	CARTON QTY	NON STERILE
	<b>35-082</b>	<b>Ultrasound Probe Cover</b>	50	35-082NS
		<ul style="list-style-type: none"> <li>Cover 15cm x 150cm</li> <li>Probe fastener</li> <li>Clear PE material</li> </ul>		

II Covers	RE-ORDER	DESCRIPTION	CARTON QTY	NON STERILE
	<b>35-079</b>	<b>II Cover</b>	80	35-079NS
		<ul style="list-style-type: none"> <li>30(80)cm x 30cm</li> <li>Elastic diameter relaxed: 30cm</li> <li>Elastic diameter stretched: 80cm</li> </ul>		

II Covers	RE-ORDER	DESCRIPTION	CARTON QTY	NON STERILE
	<b>29-713</b>	<b>II Cover</b>	60	DP 1217A
		<ul style="list-style-type: none"> <li>45(118)cm x 40cm</li> <li>Elastic diameter relaxed: 45cm</li> <li>Elastic diameter stretched: 118cm</li> </ul>		

II Covers	RE-ORDER	DESCRIPTION	CARTON QTY	NON STERILE
	<b>29-716</b>	<b>II Cover</b>	50	DP 2802
		<ul style="list-style-type: none"> <li>67(145)cm x 70cm</li> <li>Elastic diameter relaxed: 67cm</li> <li>Elastic diameter stretched: 145cm</li> </ul>		

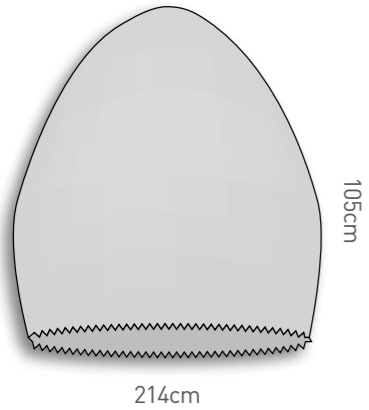
 Protex® Drapes have an absorbent top layer with an impervious backing.

PRODUCT MATERIAL KEY:



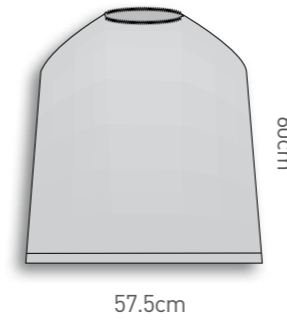
**II Covers** RE-ORDER DESCRIPTION CARTON QTY NON STERILE

35-711	<b>II Cover</b> • 76(214)cm x 105cm • Elastic diameter relaxed: 76cm • Elastic diameter stretched: 214cm	30	DP 1212
--------	---	----	---------



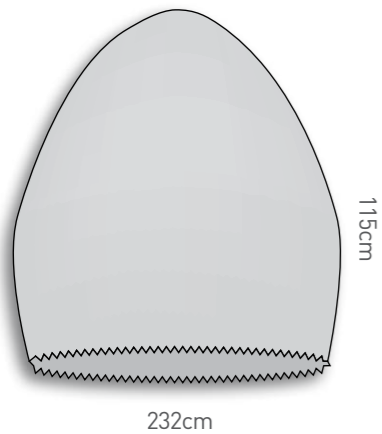
**Leadscreen Covers** RE-ORDER DESCRIPTION CARTON QTY NON STERILE

29-730	<b>Leadscreen Cover</b> • 19(57.5)cm x 60cm • Elastic opening	100	DP 1214
--------	---	-----	---------



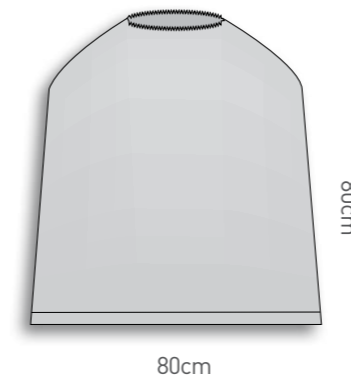
**II Covers** RE-ORDER DESCRIPTION CARTON QTY NON STERILE

29-710	<b>II Cover</b> • 91(232)cm x 115cm • Elastic diameter relaxed: 91cm • Elastic diameter stretched: 232cm	30	DP 1211
--------	---	----	---------



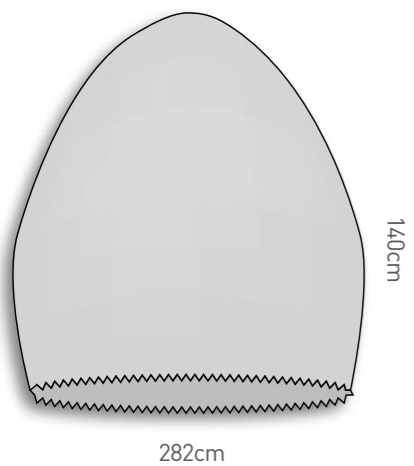
**Leadscreen Covers** RE-ORDER DESCRIPTION CARTON QTY NON STERILE

29-731	<b>Leadscreen Cover</b> • 25(80)cm x 80cm • Elastic opening	50	DP 1215
--------	---	----	---------



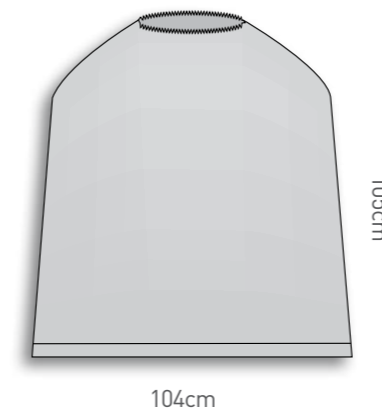
**II Covers** RE-ORDER DESCRIPTION CARTON QTY NON STERILE

29-712	<b>II Cover</b> • 120(282)cm x 140cm • Elastic diameter relaxed: 120cm • Elastic diameter stretched: 282cm	20	DP 1213
--------	---	----	---------



**Leadscreen Covers** RE-ORDER DESCRIPTION CARTON QTY NON STERILE

29-738	<b>Leadscreen Cover</b> • 40(104)cm x 105cm • Elastic opening	50	DP 2805
--------	---	----	---------



 Protex® Drapes have an absorbent top layer with an impervious backing.

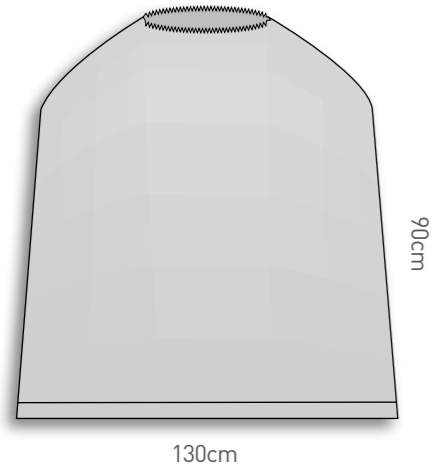
PRODUCT MATERIAL KEY:



Leadscreen Covers

RE-ORDER	DESCRIPTION	CARTON QTY	NON STERILE
----------	-------------	------------	-------------

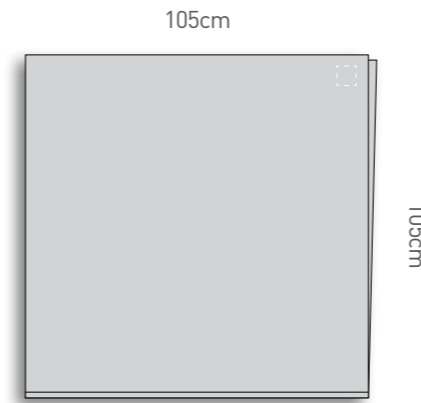
29-732	<b>Leadscreen Cover</b> • 50(130)cm x 90cm • Elastic opening	60	DP 1218
--------	--	----	---------



Leadscreen Covers

RE-ORDER	DESCRIPTION	CARTON QTY	NON STERILE
----------	-------------	------------	-------------

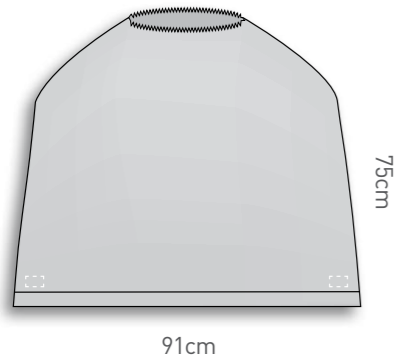
35-075	<b>Leadscreen Cover with Split</b> • 105cm x 105cm • Adhesive tab	50	35-075NS
--------	---	----	----------



Leadscreen Covers

RE-ORDER	DESCRIPTION	CARTON QTY	NON STERILE
----------	-------------	------------	-------------

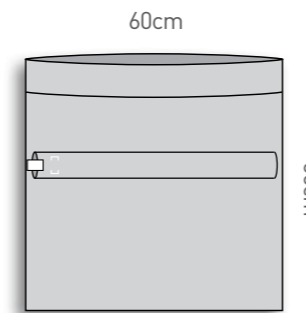
29-733	<b>Leadscreen Cover with Adhesive</b> • 33(91)cm x 75cm • Adhesive tabs • Elastic opening	60	DP 1891
--------	--	----	---------



Leadscreen Covers

RE-ORDER	DESCRIPTION	CARTON QTY	NON STERILE
----------	-------------	------------	-------------

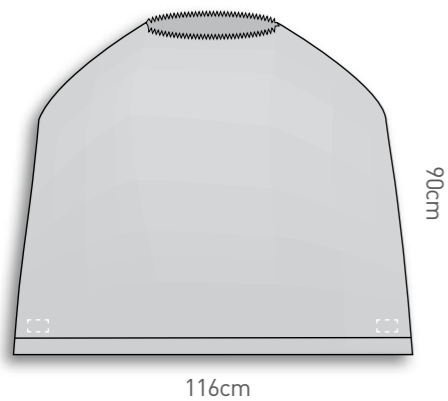
29-737	<b>Leadscreen Cover</b> • Drape 60 x 60cm with cuff • Fastening arm with adhesive securing tape	100	DP 2804
--------	---	-----	---------



Leadscreen Covers

RE-ORDER	DESCRIPTION	CARTON QTY	NON STERILE
----------	-------------	------------	-------------

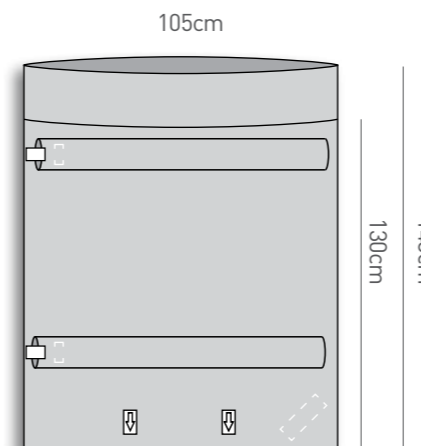
35-080	<b>Leadscreen Cover with Adhesive</b> • 25(116)cm x 90cm • Adhesive tabs • Elastic opening	50	35-080NS
--------	---	----	----------



Leadscreen Covers

RE-ORDER	DESCRIPTION	CARTON QTY	NON STERILE
----------	-------------	------------	-------------

29-736	<b>Leadscreen Cover with Adhesive</b> • Drape 105cm x 130cm (cuff closed) • Drape 105cm x 148cm (cuff extended) • 2 x Fastening arms with adhesive securing tape	50	DP 2803
--------	---	----	---------



# Orthopaedic

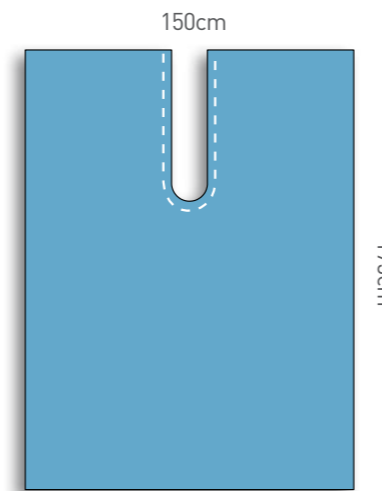
## CONTENTS

Poly U Drapes	57
Hip Drapes	58
Extremity Drapes	60
Knee Drapes	61
Foot and Ankle Drape	62
Shoulder Drapes	63
Hand Drapes	64
Multi-Purpose Drapes	64
Orthopaedic Drape Sets	65

**PRODUCT MATERIAL KEY:**

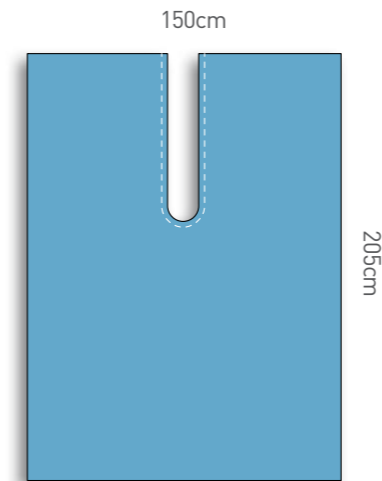


**Poly U Drapes**      RE-ORDER      DESCRIPTION      CARTON QTY      NON STERILE



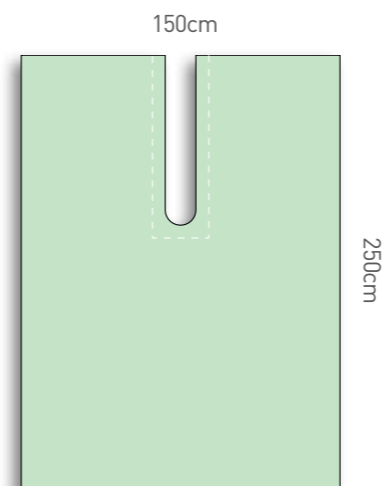
<b>35-254</b>	<b>Impervious Drape with Adhesive U-Split</b>	50	35-254NS
	<ul style="list-style-type: none"> <li>• Blue PE Drape 150cm x 175cm</li> <li>• Adhesive U-Split 10cm x 53cm</li> <li>• PE material</li> </ul>		

**Poly U Drapes**      RE-ORDER      DESCRIPTION      CARTON QTY      NON STERILE



<b>35-015</b>	<b>Impervious Drape with Adhesive U-Split</b>	30	35-015NS
	<ul style="list-style-type: none"> <li>• Drape 150cm x 205cm</li> <li>• Adhesive U-Split 14cm x 80cm</li> <li>• PE material</li> </ul>		

**Poly U Drapes**      RE-ORDER      DESCRIPTION      CARTON QTY      NON STERILE



<b>N/A</b>	<b>Impervious Drape with Adhesive U-Split</b>	104	35-185NS
	<ul style="list-style-type: none"> <li>• Drape 150cm x 250cm</li> <li>• Adhesive U-Split 14cm x 80cm</li> <li>• Green PE material</li> </ul>		

 Protex® Drapes have an absorbent top layer with an impervious backing.

PRODUCT MATERIAL KEY:

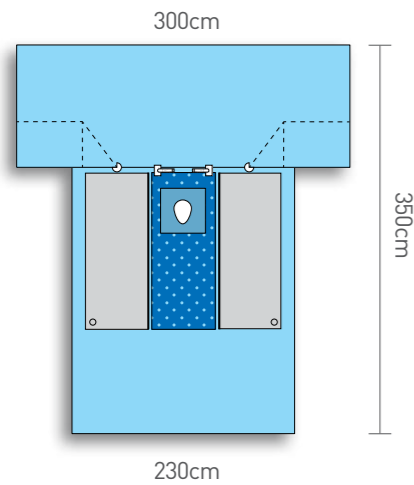


Hip Drapes

RE-ORDER	DESCRIPTION	CARTON QTY	NON STERILE
----------	-------------	------------	-------------

35-035	<b>Hip Drape with Side Pouches</b>	6	35-035NS
--------	------------------------------------	---	----------

- Drape 300(230)cm x 350cm
- Dual side pouches with suction port 75cm x 140cm
- Armboard covers
- Elastomeric aperture
- Ultra reinforcement 56cm x 140cm
- Tube holders / fasteners

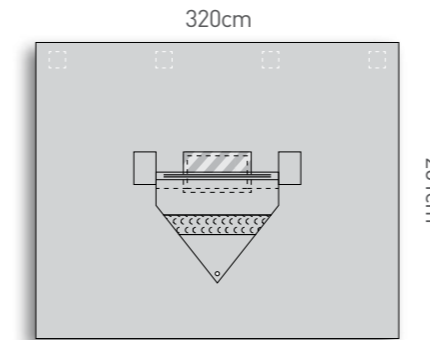


Hip Drapes

RE-ORDER	DESCRIPTION	CARTON QTY	NON STERILE
----------	-------------	------------	-------------

28-920	<b>Hip Arthroscopy Drape</b>	10	ST 0251
--------	------------------------------	----	---------

- Drape 320cm x 261cm
- Aperture with full incise 46cm x 25cm
- 2 Instrument pouches 17cm x 25cm
- Fluid collection pouch with filter and port 94cm x 85.5cm
- Adhesive positioning tapes

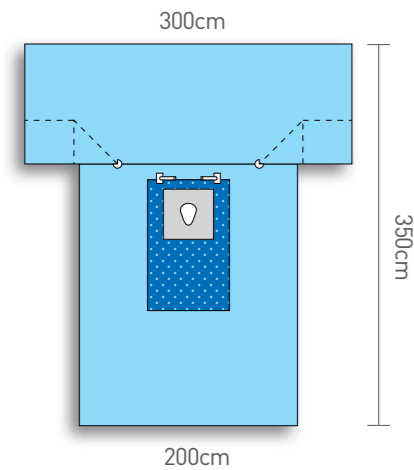


Hip Drapes

RE-ORDER	DESCRIPTION	CARTON QTY	NON STERILE
----------	-------------	------------	-------------

35-123	<b>Hip T Drape without Pouch</b>	10	35-123NS
--------	----------------------------------	----	----------

- Drape 300(200)cm x 350cm
- Elastomeric aperture 16cm x 21cm
- Ultra reinforcement 75cm x 120cm
- Arm board covers
- Tube holders / fasteners

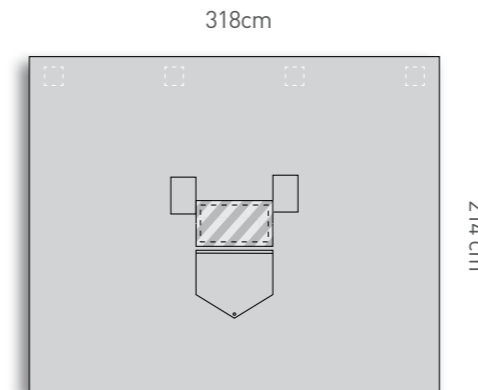


Hip Drapes

RE-ORDER	DESCRIPTION	CARTON QTY	NON STERILE
----------	-------------	------------	-------------

28-502	<b>Isolation Drape with Incise Film and Pouch</b>	12	ST 0025
--------	---	----	---------

- Drape 318cm x 214cm
- Adhesive aperture with clear incise film 46cm x 25cm
- Fluid collection pouch 52cm x 46cm
- 2 Instrument pouches 17cm x 25cm
- Adhesive positioning tapes

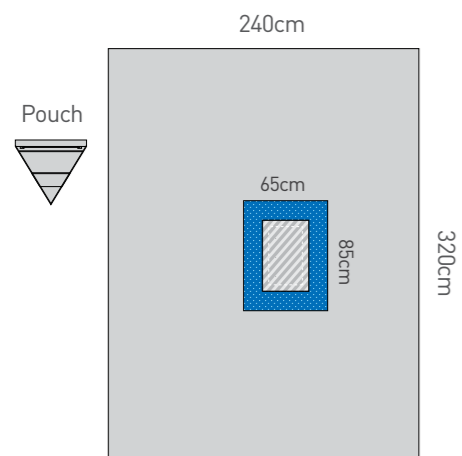


Hip Drapes

RE-ORDER	DESCRIPTION	CARTON QTY	NON STERILE
----------	-------------	------------	-------------

35-175	<b>Anterior Hip Drape with Pouch</b>	N/A	35-175NS
--------	--------------------------------------	-----	----------

- Drape clear PE 240cm x 320cm
- Ultra reinforcement 65cm x 85cm
- Incise film
- Attachable pouch

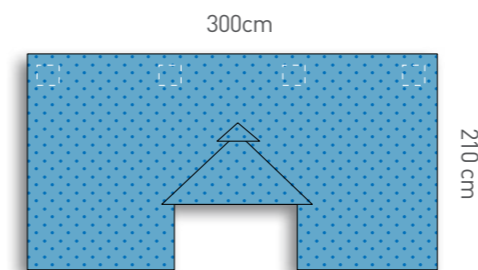


Hip Drapes

RE-ORDER	DESCRIPTION	CARTON QTY	NON STERILE
----------	-------------	------------	-------------

28-514	<b>Charnley Screen Drape</b>	10	ST 0213
--------	------------------------------	----	---------

- Drape 300cm x 210cm
- Contoured aperture
- 4 Adhesive positioning tapes



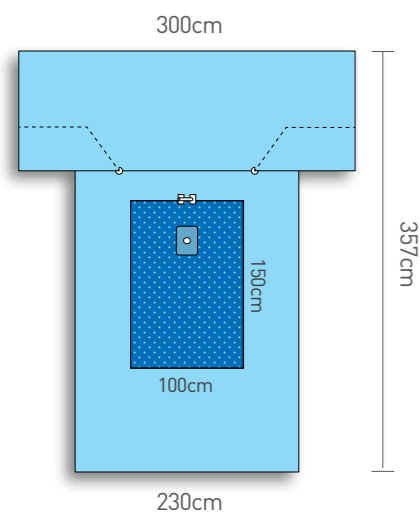
 Protex® Drapes have an absorbent top layer with an impervious backing.

PRODUCT MATERIAL KEY:



Extremity Drapes

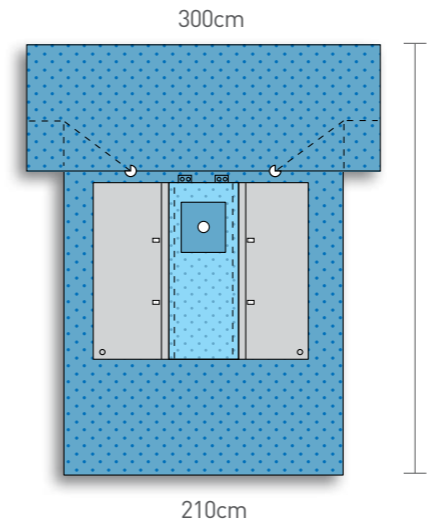
RE-ORDER	DESCRIPTION	CARTON QTY	NON STERILE
----------	-------------	------------	-------------



35-011	<b>Extremity T-Drape</b>	10	35-011NS
	<ul style="list-style-type: none"> <li>• Drape 300(230)cm x 357cm</li> <li>• Elastomeric aperture 28cm x 33cm 7cm diameter</li> <li>• Ultra reinforcement 100cm x 150cm</li> <li>• Tube holder / fastener</li> </ul>		

Knee Drapes

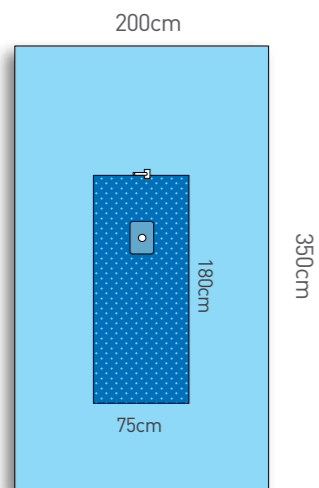
RE-ORDER	DESCRIPTION	CARTON QTY	NON STERILE
----------	-------------	------------	-------------



28-348	<b>Knee ACL Drape with Side Pouches</b>	6	ST 0267
	<ul style="list-style-type: none"> <li>• Drape 300(210)cm x 350cm</li> <li>• Elastomeric aperture 6.5cm diameter</li> <li>• Reinforcement 56cm x 140cm</li> <li>• 2 Side pouches with drainage ports 55cm x 140cm</li> <li>• Armboard covers</li> <li>• 2 Cord/Tube holders</li> </ul>		

Extremity Drapes

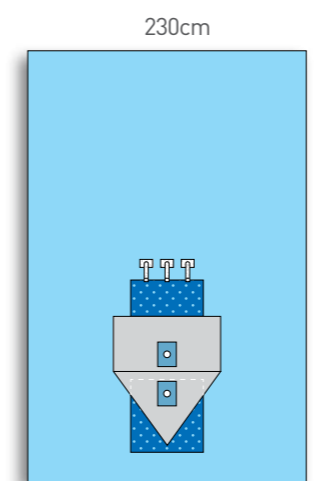
RE-ORDER	DESCRIPTION	CARTON QTY	NON STERILE
----------	-------------	------------	-------------



35-014	<b>Lower Extremity Drape</b>	7	35-014NS
	<ul style="list-style-type: none"> <li>• Drape 200cm x 350cm</li> <li>• Elastomeric aperture 7cm diameter</li> <li>• Ultra reinforcement 75cm x 180cm</li> <li>• Tube holder / fastener</li> </ul>		

Knee Drapes

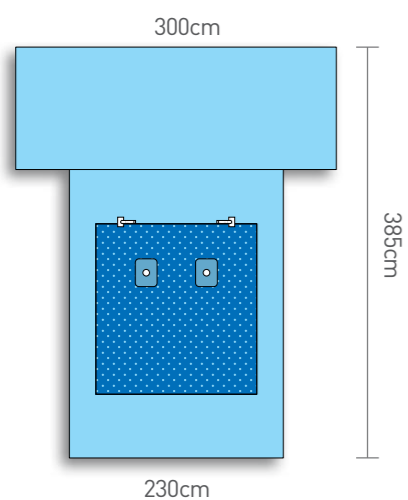
RE-ORDER	DESCRIPTION	CARTON QTY	NON STERILE
----------	-------------	------------	-------------



35-053	<b>Knee Arthroscopy Drape with V-Pouch</b>	10	35-053NS
	<ul style="list-style-type: none"> <li>• Drape 230cm x 400cm</li> <li>• Ultra reinforcement 60cm x 30cm, 60cm x 60cm</li> <li>• Elastomeric apertures 7cm diameter</li> <li>• Tube holders / fasteners</li> </ul>		

Extremity Drapes

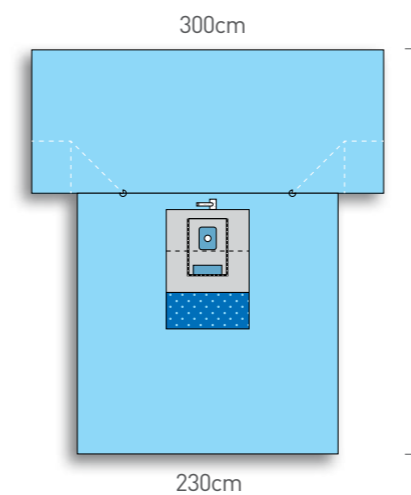
RE-ORDER	DESCRIPTION	CARTON QTY	NON STERILE
----------	-------------	------------	-------------



35-012	<b>Bilateral Extremity T-Drape</b>	8	35-012NS
	<ul style="list-style-type: none"> <li>• Drape 300(230)cm x 385cm</li> <li>• Ultra reinforcement 150cm x 160cm</li> <li>• Armboard covers</li> <li>• Dual elastomeric apertures 7cm diameter</li> <li>• Tube holders / fasteners</li> </ul>		

Knee Drapes

RE-ORDER	DESCRIPTION	CARTON QTY	NON STERILE
----------	-------------	------------	-------------



35-054	<b>Knee Arthroscopy Drape with Square Pouch</b>	12	35-054NS
	<ul style="list-style-type: none"> <li>• Drape 300(230)cm x 340cm</li> <li>• Elastomeric aperture 7cm diameter</li> <li>• Ultra reinforcement 90cm x 75cm</li> <li>• Malleable wire adjustable pouch</li> <li>• Tube holder / fastener</li> </ul>		

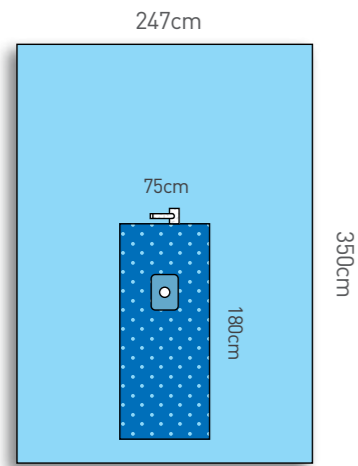
 Protex® Drapes have an absorbent top layer with an impervious backing.

PRODUCT MATERIAL KEY:



Foot and Ankle Drape

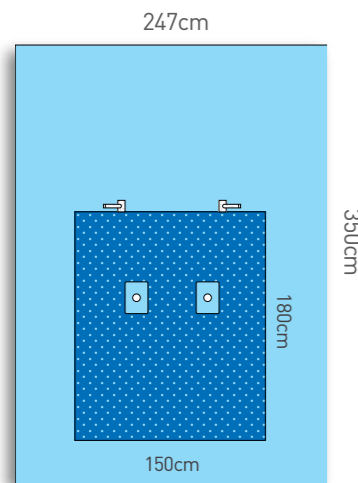
RE-ORDER	DESCRIPTION	CARTON QTY	NON STERILE
----------	-------------	------------	-------------



35-033	<b>Foot and Ankle Drape</b>	10	35-033NS
	<ul style="list-style-type: none"> <li>• Drape 247cm x 350cm</li> <li>• Elastomeric aperture 6cm diameter</li> <li>• Ultra reinforcement 75cm x 180cm</li> <li>• Tube holder / fastener</li> </ul>		

Foot and Ankle Drape

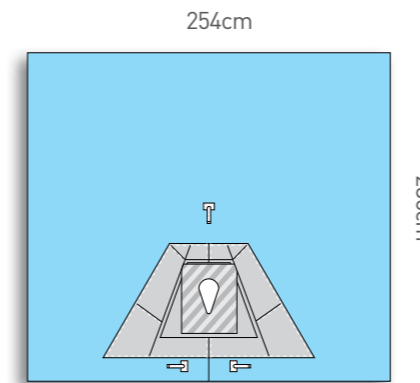
RE-ORDER	DESCRIPTION	CARTON QTY	NON STERILE
----------	-------------	------------	-------------



35-181	<b>Bilateral Foot &amp; Ankle Drape</b>	10	35-181NS
	<ul style="list-style-type: none"> <li>• Drape 247cm x 350cm</li> <li>• Bilateral elastomeric aperture 6cm diameter</li> <li>• Ultra reinforcement 150cm x 180cm</li> <li>• Tube holders / fasteners</li> </ul>		

Shoulder Drapes

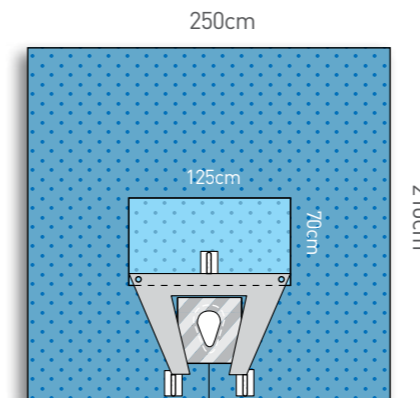
RE-ORDER	DESCRIPTION	CARTON QTY	NON STERILE
----------	-------------	------------	-------------



35-051	<b>Shoulder Arthroscopy Drape</b>	6	35-051NS
	<ul style="list-style-type: none"> <li>• Drape 254cm x 230cm</li> <li>• Fluid collection pouch with ports</li> <li>• Pear shape adhesive incise aperture</li> <li>• Tube holders / fasteners</li> </ul>		

Shoulder Drapes

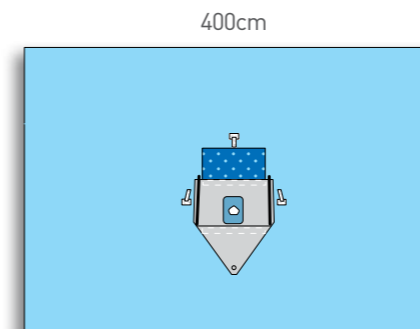
RE-ORDER	DESCRIPTION	CARTON QTY	NON STERILE
----------	-------------	------------	-------------



28-923	<b>Shoulder Arthroscopy Drape with Pouch</b>	10	ST 0301
	<ul style="list-style-type: none"> <li>• Drape 250cm x 210cm</li> <li>• Pear shape adhesive incise aperture</li> <li>• Reinforcement 125cm x 70cm</li> <li>• Fluid collection pouch with ports</li> <li>• Tube holders / fasteners</li> </ul>		

Shoulder Drapes

RE-ORDER	DESCRIPTION	CARTON QTY	NON STERILE
----------	-------------	------------	-------------



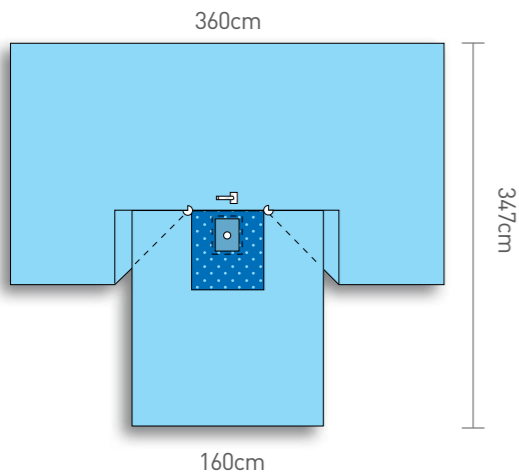
35-013	<b>Shoulder Beach Chair Drape</b>	10	35-013NS
	<ul style="list-style-type: none"> <li>• Drape 400cm x 272cm</li> <li>• Elastomeric aperture 6cm x 9cm</li> <li>• Fluid collection pouch with suction port and malleable wire</li> <li>• Ultra reinforcement 60cm x 30cm</li> <li>• 3 Tube holders / fasteners</li> </ul>		



 Protex® Drapes have an absorbent top layer with an impervious backing.

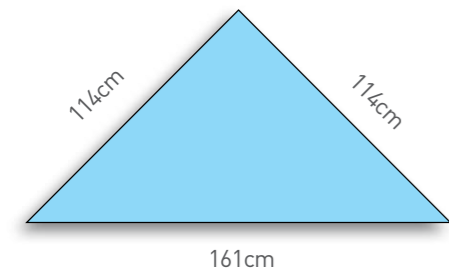
**Hand Drapes**

RE-ORDER	DESCRIPTION	CARTON QTY	NON STERILE
35-005	<b>Hand Drape</b> • Drape 360(160)cm x 347cm • Elastomeric aperture 3.5cm diameter • Ultra reinforcement 60cm x 105cm • Tube holder / fastener	6	35-005NS



**Multi-Purpose Drapes**

RE-ORDER	DESCRIPTION	CARTON QTY	NON STERILE
35-104	<b>Triangle Drape</b> • Drape 161cm x 114cm x 114cm	90	35-104NS

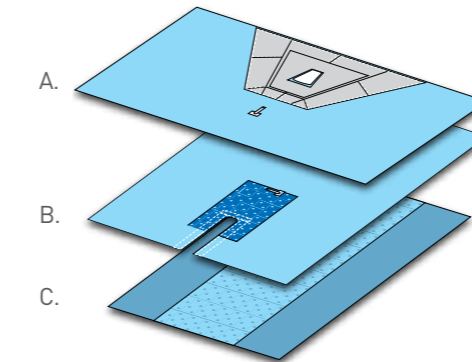


PRODUCT MATERIAL KEY:



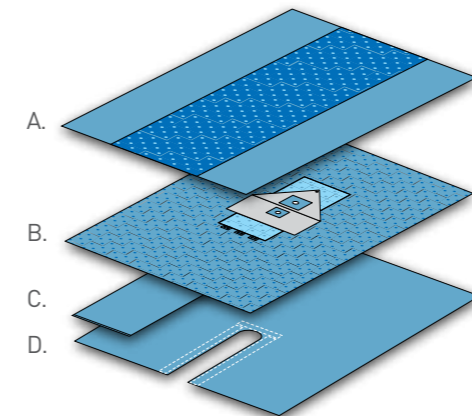
**Orthopaedic Drape Sets**

RE-ORDER	DESCRIPTION	CARTON QTY	NON STERILE
40- 737	<b>Shoulder Set</b>	3	
A.	1 x Shoulder arthroscopy drape 254cm x 230cm		35-051NS
B.	1 x Drape 200cm x 294cm with U-Split 11.5cm x 69cm		35-017NS
C.	1 x Back table cover (Medium) 137cm x 230cm		PE 0003



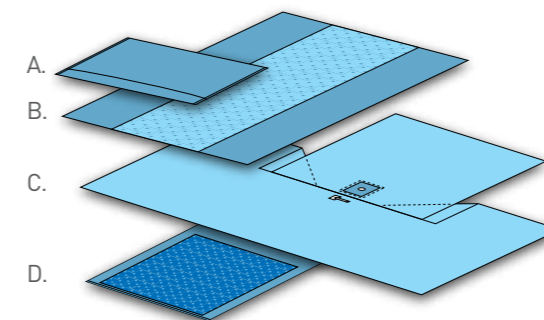
**Orthopaedic Drape Sets**

RE-ORDER	DESCRIPTION	CARTON QTY	NON STERILE
40- 746	<b>Arthroscopy Drape Pack</b>	8	
A.	1 x Heavy duty back table cover (Medium) 137cm x 230cm		PE 0103
B.	1 x Arthroscopy drape with pouch 210cm x 350cm		ST 0214
C.	1 x Impervious Stockinette (Large) 30cm x 122cm		PE 0009
D.	1 x Drape 150cm x 205cm with U-Split 14.5cm x 80cm		35-015NS



**Orthopaedic Drape Sets**

RE-ORDER	DESCRIPTION	CARTON QTY	NON STERILE
40- 751	<b>Hand Pack</b>	8	
A.	1 x Suture bag with tape 39cm x 29cm		DP 3000
B.	1 x Back table cover (Medium) 137cm x 230cm		PE 0003
C.	1 x Hand drape 360(160)cm x 347cm		35-005NS
D.	1 x Ultra Mayo cover 60cm x 137cm		35-006NS



# General Surgery

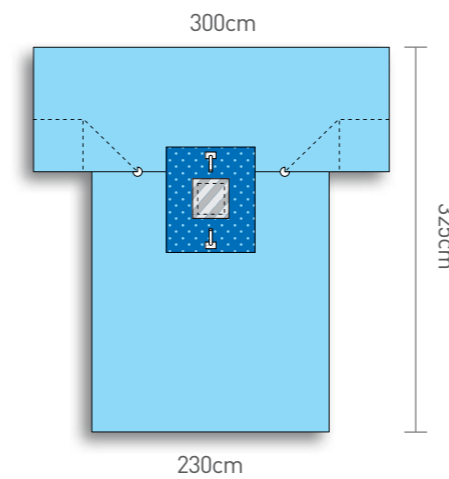
## CONTENTS

General Surgical Drapes	67
Burns Drapes	69

**PRODUCT MATERIAL KEY:**

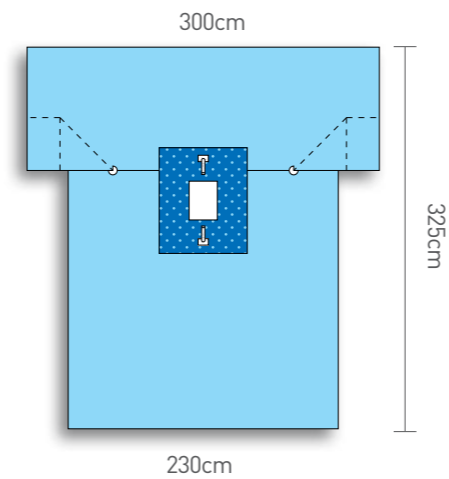


**General Surgery Drapes**



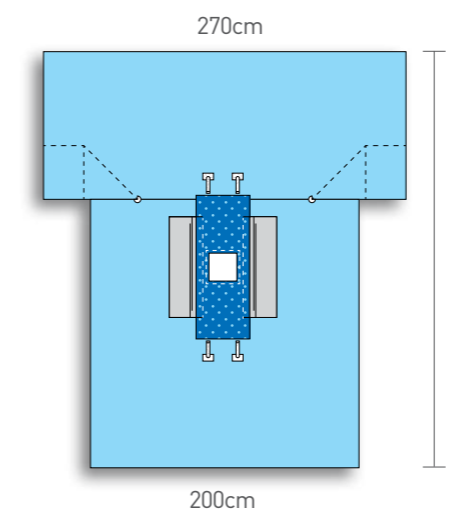
RE-ORDER	DESCRIPTION	CARTON QTY	NON STERILE
35-034	<b>Laparotomy Drape with Incise Aperture</b> <ul style="list-style-type: none"> <li>• Drape 300(230)cm x 325cm</li> <li>• Incise aperture 24cm x 33cm</li> <li>• Ultra reinforcement 75cm x 90cm</li> <li>• Tube holders / fasteners</li> </ul>	10	35-034NS

**General Surgery Drapes**



RE-ORDER	DESCRIPTION	CARTON QTY	NON STERILE
35-092	<b>Laparoscopic Drape</b> <ul style="list-style-type: none"> <li>• Drape 300(230)cm x 325cm</li> <li>• Aperture 24cm x 33cm</li> <li>• Ultra reinforcement 75cm x 90cm</li> <li>• Arm board covers</li> <li>• Tube holders / fasteners</li> </ul>	10	35-092NS

**General Surgery Drapes**



RE-ORDER	DESCRIPTION	CARTON QTY	NON STERILE
35-059	<b>Laparoscopic Drape with Side Pouches</b> <ul style="list-style-type: none"> <li>• Drape 270(200)cm x 310cm</li> <li>• Adhesive Aperture 27cm x 27cm</li> <li>• Ultra reinforcement 40cm x 107cm</li> <li>• Dual side pouches</li> <li>• Tube holders / fasteners</li> </ul>	10	35-059NS

 Protex® Drapes have an absorbent top layer with an impervious backing.

PRODUCT MATERIAL KEY:

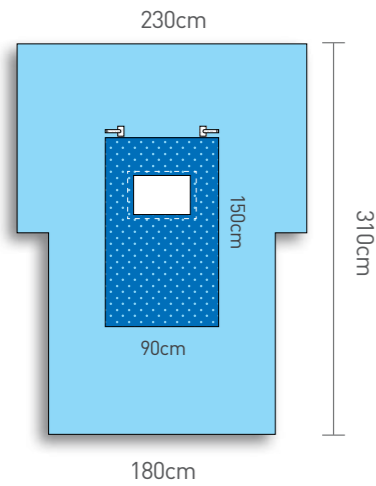


General Surgery Drapes

RE-ORDER	DESCRIPTION	CARTON QTY	NON STERILE
----------	-------------	------------	-------------

**35-107 Breast Drape** 10 35-107NS

- Drape 230(180)cm x 310cm
- Adhesive aperture 44cm x 30cm
- Ultra reinforcement 90cm x 150cm
- Tube holders / fasteners

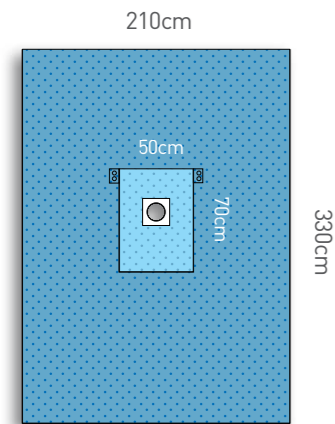


General Surgery Drapes

RE-ORDER	DESCRIPTION	CARTON QTY	NON STERILE
----------	-------------	------------	-------------

**28-506 Hernia Drape with Elastomeric Aperture** 12 ST 0004

- Drape 210cm x 330cm
- Round aperture 15cm diameter
- Reinforcement 50cm x 70cm
- 2 Cord/Tube holders

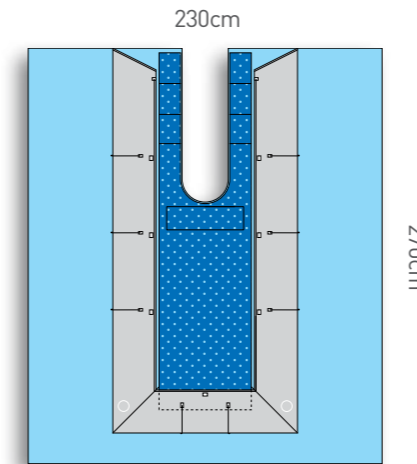


Burns Drapes

RE-ORDER	DESCRIPTION	CARTON QTY	NON STERILE
----------	-------------	------------	-------------

**35-168 Burns Drape with U Split** 12 35-168NS

- Drape 230cm x 270cm
- U split with adhesive 30cm x 100cm
- Ultra reinforcement with side & buttock application pouches
- 270 degree fluid control pouch

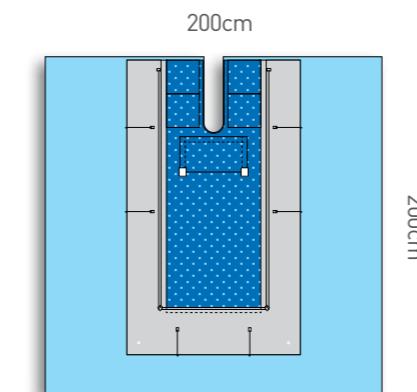


Burns Drapes

RE-ORDER	DESCRIPTION	CARTON QTY	NON STERILE
----------	-------------	------------	-------------

**35-177 Burns Drape-Small** 20 35-177NS

- Drape 200cm x 200cm
- U split with adhesive 11.5cm x 45cm
- Ultra reinforcement with application pouches
- 270 degree fluid control pouch



# Obstetrics & Gynaecology

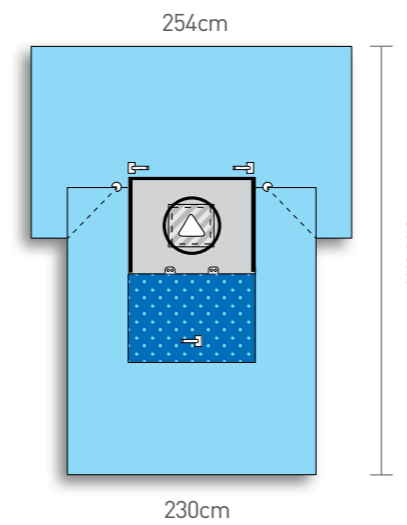
## CONTENTS

Caesarean Drapes	71
Lap/Gynae Drapes	72
Peri-Gynae Drapes	73
Gynae Drape Sets	75

**PRODUCT MATERIAL KEY:**

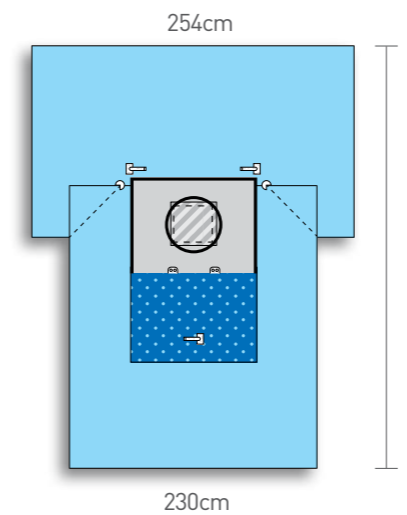


**Caesarean Drape**



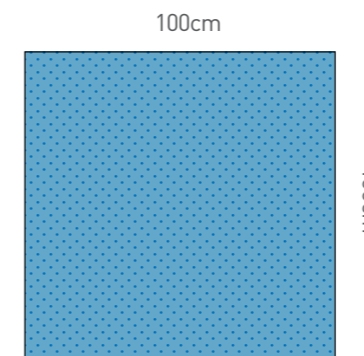
RE-ORDER	DESCRIPTION	CARTON QTY	NON STERILE
35-008	<b>Caesarean Drape with Incise Film, Aperture and Pouch</b>  <ul style="list-style-type: none"> <li>• Drape 254(230)cm x 317cm</li> <li>• Incise area with triangle Aperture 22cm x 17cm x 17cm</li> <li>• Fluid pouch with suction ports 76cm x 92cm</li> <li>• Ultra reinforcement 92cm x 60cm</li> <li>• Tube holders / fasteners</li> </ul>	12	35-008NS

**Caesarean Drape**



RE-ORDER	DESCRIPTION	CARTON QTY	NON STERILE
35-009	<b>Caesarean Drape with Incise Film, Aperture and Pouch</b>  <ul style="list-style-type: none"> <li>• Drape 254(230)cm x 317cm</li> <li>• Full incise area 30cm x 30cm</li> <li>• Fluid pouch with suction ports 92cm x 76cm</li> <li>• Ultra reinforcement 92cm x 60cm</li> <li>• Tube holders / fasteners</li> </ul>	12	35-009NS

RE-ORDER	DESCRIPTION	CARTON QTY	NON STERILE
28-229	<b>Baby Wrap</b>  <ul style="list-style-type: none"> <li>• Drape 100cm x 100cm</li> </ul>	20	ST 0049



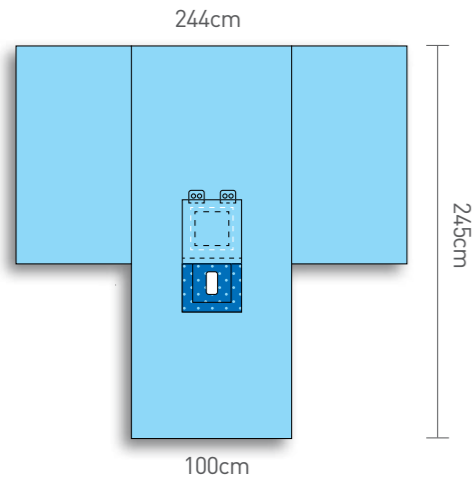
 Protex® Drapes have an absorbent top layer with an impervious backing.

PRODUCT MATERIAL KEY:



**Lap/Gynae Drapes**

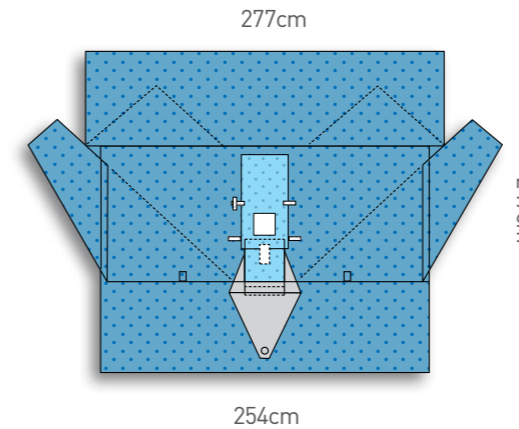
RE-ORDER	DESCRIPTION	CARTON QTY	NON STERILE
35-083A	Lap/Gynae T-Drape with Abdominal and Perineal Aperture	8	35-083NS



- Drape 244(100)cm x 245cm
- Adhesive abdominal aperture 23cm x 25cm
- Perineal aperture 8cm x 15cm
- Abdominal modesty drape

**Lap/Gynae Drapes**

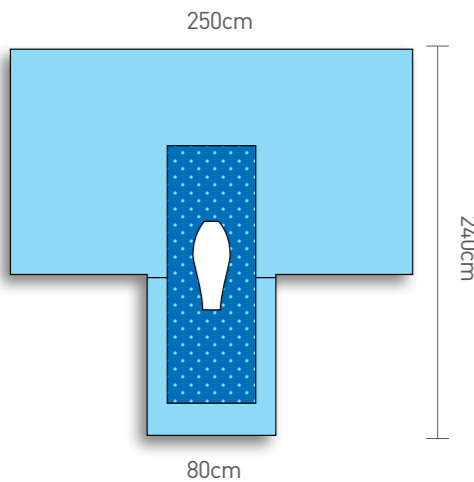
RE-ORDER	DESCRIPTION	CARTON QTY	NON STERILE
28-526	LAVH Drape	15	ST 0242



- Drape 277(254)cm x 247.5cm
- Adhesive abdominal aperture 30cm x 30cm with reinforcement 45cm x 68.5cm
- Perineal aperture 7.5cm x 15cm with absorbent reinforcement 30.5cm x 43cm
- Fluid control pouch with suction port
- Attached leggings

**Lap/Gynae Drapes**

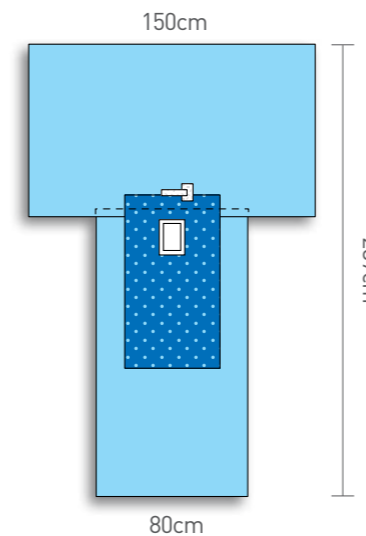
RE-ORDER	DESCRIPTION	CARTON QTY	NON STERILE
35-048	Lap/Gynae T-Drape with Aperture	12	35-048NS



- Drape 250(80)cm x 240cm
- Ultra reinforcement 55cm x 160cm
- All in one abdominal and perineal aperture

**Peri-Gynae Drapes**

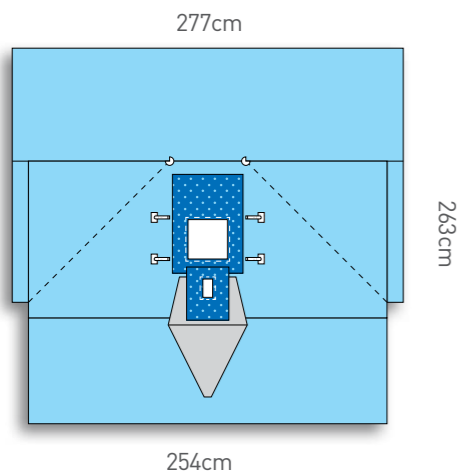
RE-ORDER	DESCRIPTION	CARTON QTY	NON STERILE
35-036	Perineal-Gynaecology T-Drape	6	35-036NS



- Drape 150(80)cm x 237cm
- Aperture 10cm x 15cm
- Ultra reinforcement 50cm x 90cm
- Tube holder / fastener

**Lap/Gynae Drapes**

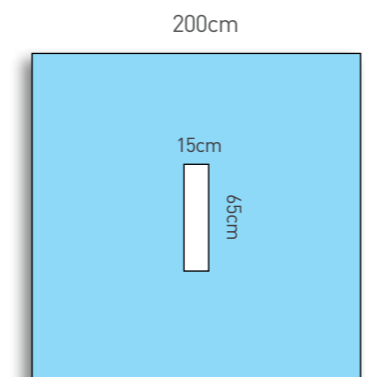
RE-ORDER	DESCRIPTION	CARTON QTY	NON STERILE
35-122	LAVH Drape	10	35-122NS



- Drape 277(254)cm x 263cm
- Abdominal adhesive aperture 30cm x 30cm with ultra reinforcement 50cm x 70cm
- Perineal adhesive aperture 7.5cm x 15cm with ultra reinforcement 30x36cm
- Attached leggings
- Fluid control pouch with suction port
- Tube holders / fasteners
- Detachable modesty drape 30cm x 42cm

**Peri-Gynae Drapes**

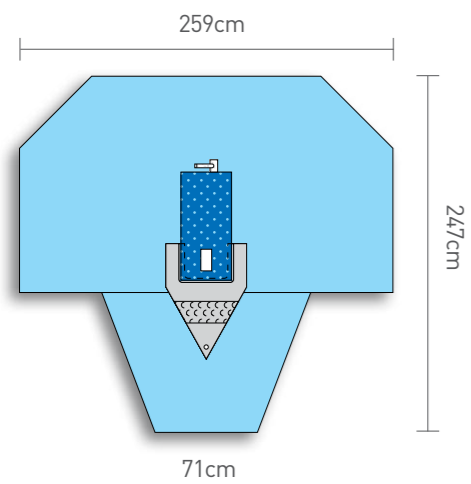
RE-ORDER	DESCRIPTION	CARTON QTY	NON STERILE
35-064	IVF Drape with Aperture	20	35-064NS



- Drape 200cm x 200cm
- Aperture 15cm x 65cm

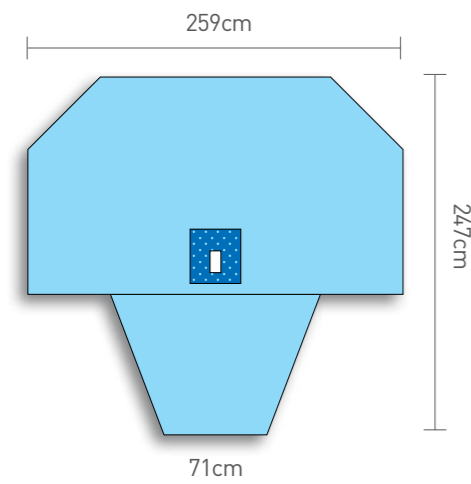
 Protex® Drapes have an absorbent top layer with an impervious backing.

**Peri-Gynae Drapes**



RE-ORDER	DESCRIPTION	CARTON QTY	NON STERILE
35-119	<b>Urology/Gynae Lithotomy Drape with Pouch + attached Leggings</b> <ul style="list-style-type: none"> <li>• Drape 259 (71)cm x 247cm</li> <li>• Adhesive aperture 7.5cm x 15cm</li> <li>• Ultra reinforcement 35cm x 75cm</li> <li>• Fluid pouch with filter and suction port</li> <li>• Attached leggings</li> <li>• Tube holder / fastener</li> </ul>	10	35-119NS

**Peri-Gynae Drapes**

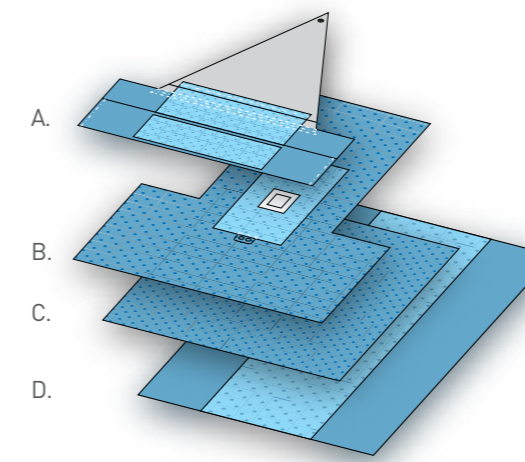


RE-ORDER	DESCRIPTION	CARTON QTY	NON STERILE
35-166	<b>Lithotomy Drape with attached Leggings</b> <ul style="list-style-type: none"> <li>• Drape 259(71)cm x 247cm</li> <li>• Adhesive perineal aperture 7.5cm x 15cm</li> <li>• Ultra reinforcement</li> <li>• Attached leggings</li> </ul>	20	35-166NS

PRODUCT MATERIAL KEY:

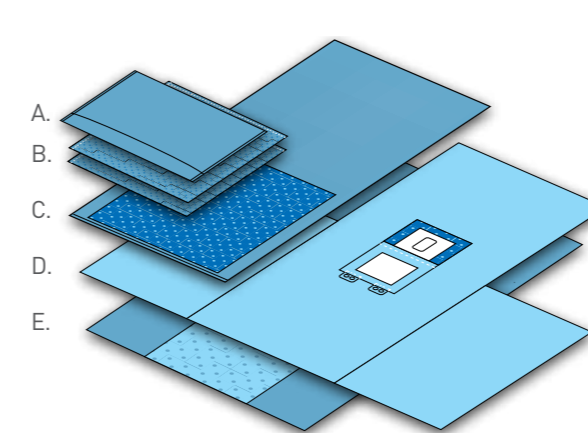


**Gynae Drape Sets**



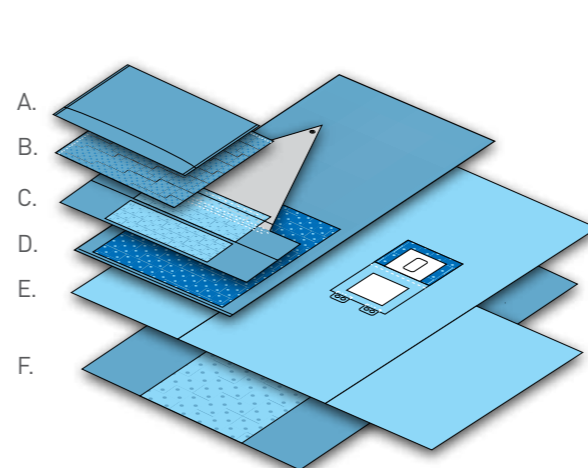
RE-ORDER	DESCRIPTION	CARTON QTY	NON STERILE
40- 738	<b>Peri-Gynae Drape Set</b>	6	
A.	1 x Under buttocks drape with pouch 97cm x 118cm		PE 0017
B.	1 x Peri-Gynae T-Drape 150(80)cm x 220cm		ST 0002
C.	2 x Universal leggings 87cm x 96(126)cm		ST 0228
D.	1 x Back table cover (Medium) 137cm x 230cm		PE 0003/B

**Gynae Drape Sets**



RE-ORDER	DESCRIPTION	CARTON QTY	NON STERILE
40- 753	<b>Peri-Gynae Drape Set</b>	10	
A.	1 x Suture bag with Tape 39cm x 29cm		DP 3000
B.	2 x Universal Leggings 87cm x 96(126)cm		ST 0228
C.	1 x Mayo cover ultra 60cm x 137cm		35-006NS
D.	1 x Lap/Gynae T-Drape 244(100)cm x 245cm with abdominal aperture 23cm x 25cm and Perineal aperture 8cm x 15cm		35-083NS
E.	1 x Back table cover (Medium) 137cm x 230cm		PE 0003/B

**Gynae Drape Sets**



RE-ORDER	DESCRIPTION	CARTON QTY	NON STERILE
40- 752	<b>General Laparoscopy Set</b>	12	
A.	1 x Suture bag 39cm x 29cm		DP 3000
B.	2 x Universal leggings 87cm x 96(126)cm		ST 0228
C.	1 x Under buttocks Drape 97cm x 118cm with pouch 61cm x 77cm		PE 0017
D.	1 x Ultra Mayo cover 60cm x 137cm		35-006NS
E.	1 x Lap/Gynae T-Drape 244(100)cm x 245cm with abdominal aperture 23cm x 25cm and Perineal aperture 8cm x 15cm		35-083NS
F.	1 x Back table cover (Medium) 137cm x 230cm		PE 0003/B

# Urology & Cystoscopy

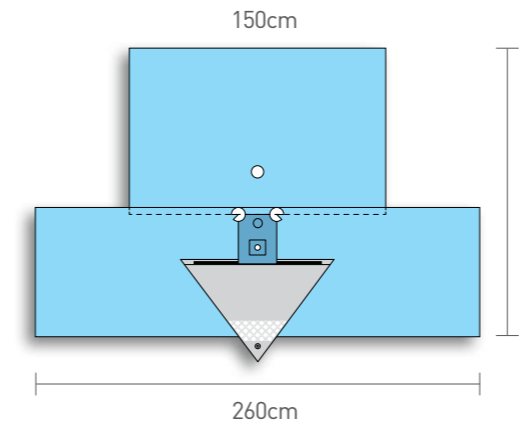
## CONTENTS

Urology and Cystoscopy Drapes	77
Urology and Cystoscopy Drape Sets	78

**PRODUCT MATERIAL KEY:**



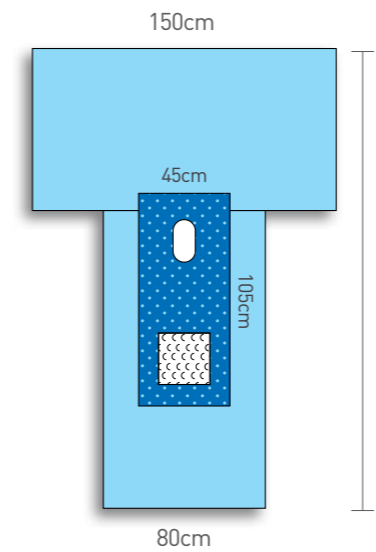
**Urology and Cystoscopy Drapes**



RE-ORDER	DESCRIPTION	CARTON QTY	NON STERILE
----------	-------------	------------	-------------

35-004	<b>TURP Drape with Round Aperture and Pouch</b>	12	35-004NS
	<ul style="list-style-type: none"> <li>• Drape 260(150)cm x 187cm</li> <li>• Elastomeric aperture 5cm diameter</li> <li>• Pouch with suction port 100cm x 70cm with adhesive</li> <li>• Suprapubic access</li> <li>• Removable pouch filter</li> <li>• Rectal examination cot</li> <li>• Attached leggings</li> </ul>		

**Urology and Cystoscopy Drapes**



RE-ORDER	DESCRIPTION	CARTON QTY	NON STERILE
----------	-------------	------------	-------------

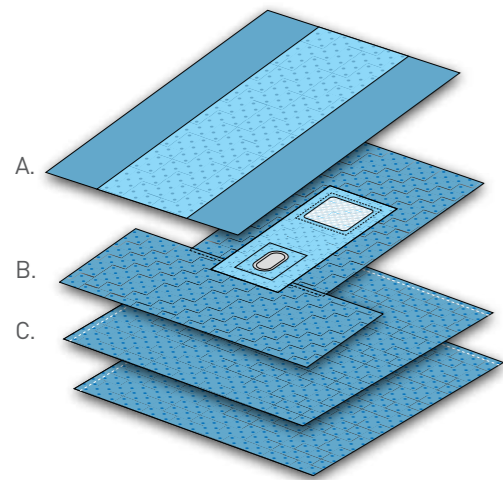
35-118	<b>Cystoscopy Drape with Oval Aperture</b>	40	35-118NS
	<ul style="list-style-type: none"> <li>• Drape 150(80)cm x 227cm</li> <li>• Oval aperture 10cm x 20cm</li> <li>• Mesh fluid screen 25cm x 25cm</li> <li>• Ultra reinforcement 45cm x 105cm</li> </ul>		

 Protex® Drapes have an absorbent top layer with an impervious backing.

PRODUCT MATERIAL KEY:

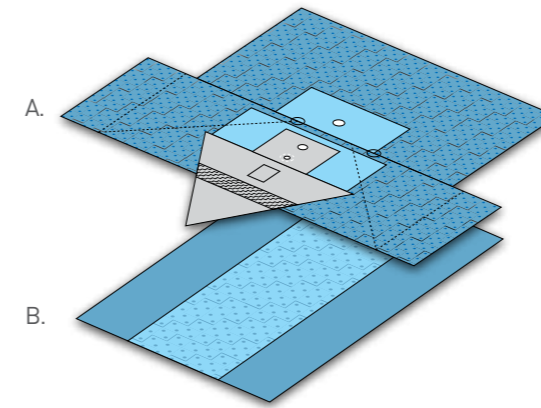


**Urology and Cystoscopy Drape Sets**



RE-ORDER	DESCRIPTION	CARTON QTY	NON STERILE
<b>40- 735</b>	<b>Cystoscopy Drape Pack</b>	6	
A.	1 x Back table cover (Medium) 137cm x 230cm		PE 0003
B.	1 x Cystoscopy drape with oval aperture 150(80)cm x 222cm		ST 0009
C.	2 x Universal leggings (Large) 109cm x 87cm		ST 0228

**Urology and Cystoscopy Drape Sets**



RE-ORDER	DESCRIPTION	CARTON QTY	NON STERILE
<b>40- 736</b>	<b>TURP Pack</b>	4	
A.	1 x TURP drape with round aperture and pouch 237(161)cm x 165cm		35-004NS
B.	1 x Back table cover (Medium) 137cm x 230cm		PE 0003



# Paediatric

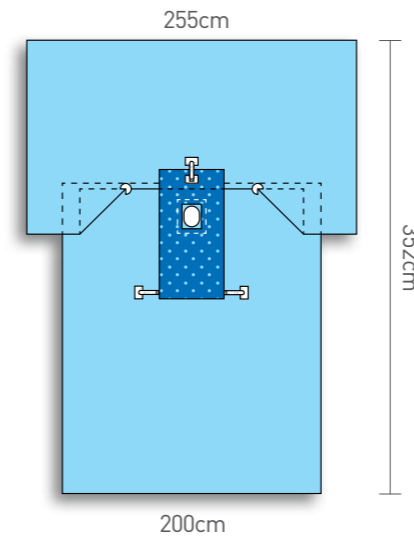
## CONTENTS

Paediatric Drape	81
Neonatal Drape	83

**PRODUCT MATERIAL KEY:**

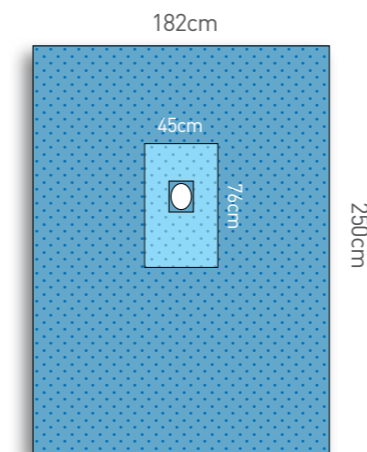


**Paediatric Drapes**



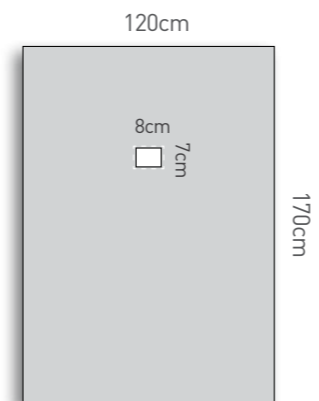
RE-ORDER	DESCRIPTION	CARTON QTY	NON STERILE
<b>35-066</b>	<b>Paediatric Drape</b> • Drape 255(200)cm x 352cm • Adhesive oval aperture 12cm x 16.5cm • Ultra reinforcement 50cm x 100cm • Tube holders / fasteners	7	35-066NS

**Paediatric Drapes**



RE-ORDER	DESCRIPTION	CARTON QTY	NON STERILE
<b>28-556</b>	<b>Paediatric Drape</b> • Drape 182cm x 250cm • Adhesive oval aperture 12.5cm x 16cm • Reinforcement 45cm x 76cm	13	ST 0019

**Paediatric Drapes**



RE-ORDER	DESCRIPTION	CARTON QTY	NON STERILE
<b>22-302</b>	<b>Paediatric Drape</b> • Drape 120cm x 170cm • Adhesive rectangle aperture 8cm x 6cm • Clear plastic	50	DP 1773

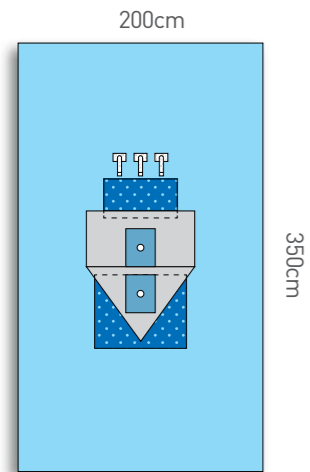
 Protex® Drapes have an absorbent top layer with an impervious backing.

PRODUCT MATERIAL KEY:



Paediatric Drapes

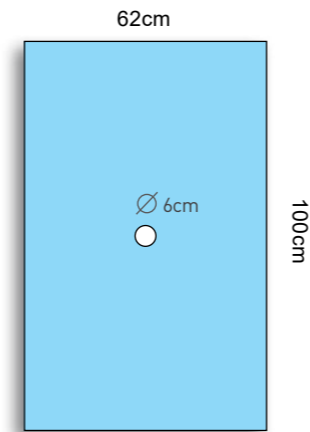
RE-ORDER	DESCRIPTION	CARTON QTY	NON STERILE
----------	-------------	------------	-------------



RE-ORDER	DESCRIPTION	CARTON QTY	NON STERILE
35-088	<b>Paediatric Arthroscopy Drape</b> • Drape 200cm x 350cm • Ultra reinforcement 60cm x 30cm & 75cm x 60cm • Elastomeric apertures 3cm diameter • Malleable wire adjustable pouch • 3 Tube holders / fasteners	8	35-088NS

Neonatal Drapes

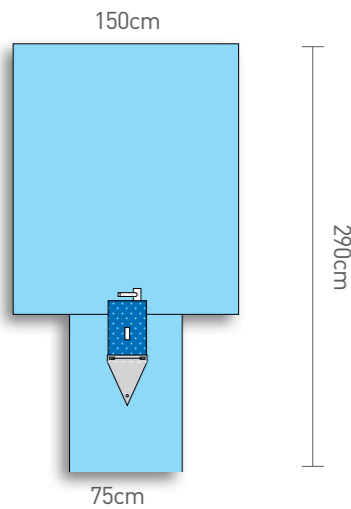
RE-ORDER	DESCRIPTION	CARTON QTY	NON STERILE
----------	-------------	------------	-------------



RE-ORDER	DESCRIPTION	CARTON QTY	NON STERILE
35-108	<b>Neonatal Drape</b> • Drape 62cm x 100cm • Round aperture 6cm diameter	80	35-108NS

Paediatric Drapes

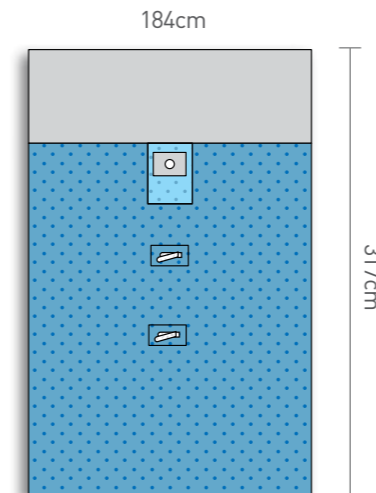
RE-ORDER	DESCRIPTION	CARTON QTY	NON STERILE
----------	-------------	------------	-------------



RE-ORDER	DESCRIPTION	CARTON QTY	NON STERILE
35-089	<b>Paediatric Urology Drape</b> • Drape 150(75)cm x 290cm • Rectangle aperture 3cm x 8cm • Ultra reinforcement 25cm x 40cm • Fluid collection pouch with suction port • Tube holder / fastener • Adhesive positioning tabs x 3	8	35-089NS

Neonatal Drapes

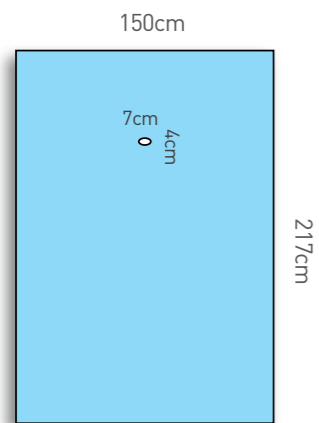
RE-ORDER	DESCRIPTION	CARTON QTY	NON STERILE
----------	-------------	------------	-------------



RE-ORDER	DESCRIPTION	CARTON QTY	NON STERILE
28-370	<b>Neonatal Drape with Clear Plastic</b> • Drape 184cm x 317cm • Reinforcement 22cm x 30cm • Clear plastic aperture 3cm diameter • Clear plastic screen 184cm x 95cm • Tube holders/fasteners	10	ST 0296

Paediatric Drapes

RE-ORDER	DESCRIPTION	CARTON QTY	NON STERILE
----------	-------------	------------	-------------



RE-ORDER	DESCRIPTION	CARTON QTY	NON STERILE
35-091	<b>Paediatric ENT Drape</b> • Drape 150cm x 217cm • Oval aperture 7cm x 4cm	8	35-091NS

# Neuro Surgery

## CONTENTS

Spinal Drape	85
Cranial Drape	87

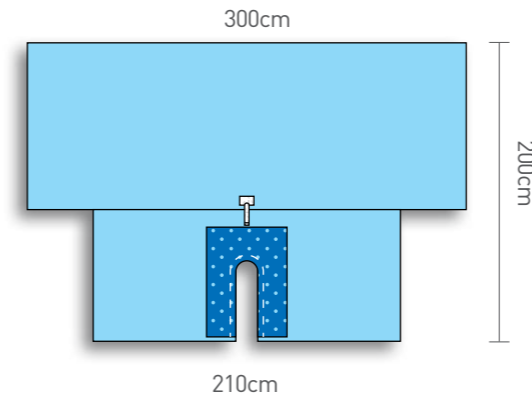
**PRODUCT MATERIAL KEY:**



**Spinal Drapes** RE-ORDER DESCRIPTION CARTON QTY NON STERILE

35-138 Spinal Top Drape with Adhesive Split 24 35-138NS

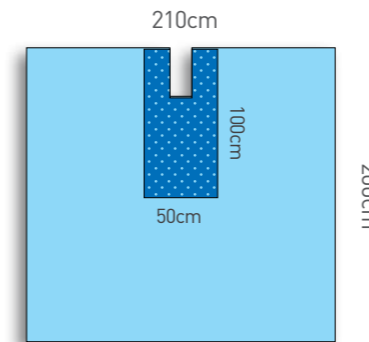
- Drape 300(210)cm x 200cm
- Split 15cm x 52cm with adhesive
- Ultra reinforcement
- Tube holder / fastener



**Spinal Drapes** RE-ORDER DESCRIPTION CARTON QTY NON STERILE

35-148 Spinal Bottom Drape with Adhesive Split 30 35-148NS

- Drape 210cm x 200cm
- Adhesive split 15cm x 32cm
- Ultra reinforcement 50cm x 100cm

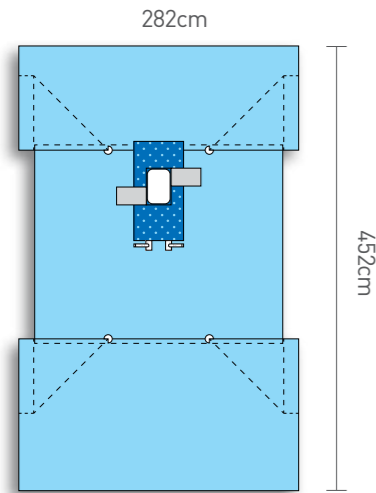


 Protex® Drapes have an absorbent top layer with an impervious backing.

PRODUCT MATERIAL KEY:

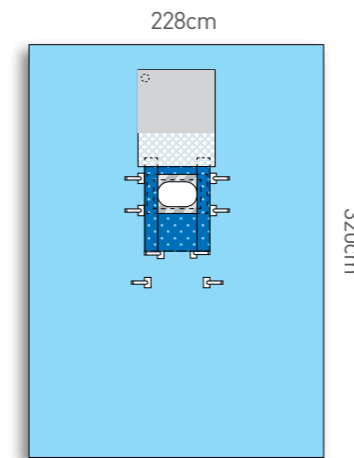


Spinal Drapes



RE-ORDER	DESCRIPTION	CARTON QTY	NON STERILE
35-090	<b>Spinal Drape</b> • Drape 282(250)cm x 452cm • Aperture 23cm x 35cm • 2 x Instrument pouches • Ultra reinforcement 50cm x 100cm • Tube holders/fasteners	24	35-090NS

Cranial Drapes



RE-ORDER	DESCRIPTION	CARTON QTY	NON STERILE
35-019	<b>Cranial Drape with Incise</b> • Drape 228cm x 320cm • Incise film 35cm x 26cm • Ultra reinforcement 50cm x 66cm • Fluid pouch with filter and suction port 60cm x 75cm • Tube holders/fasteners	7	35-019NS

# Cardiac & Angiography

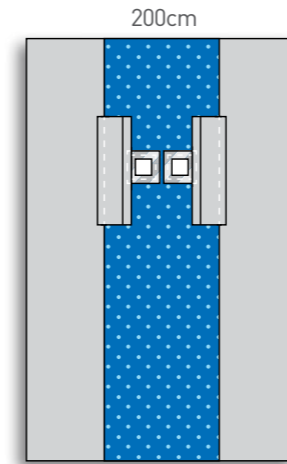
## CONTENTS

Cardiac Drape	89
Cardiothoracic Drapes	89
Cardiac Bilateral Split Drape	91
Cardiac Drape Set	91
Angiography Drapes	92

**PRODUCT MATERIAL KEY:**

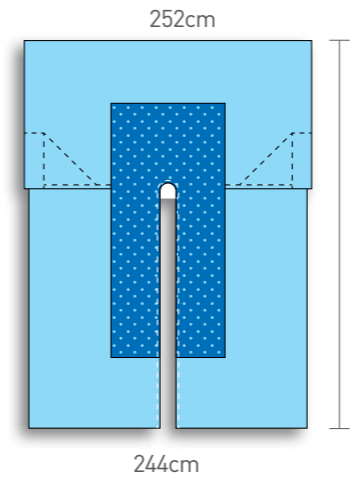


### Cardiac Drapes



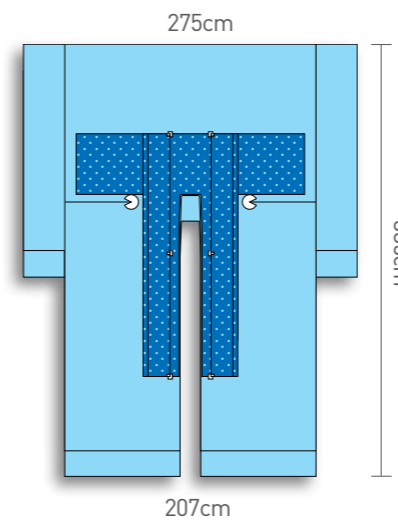
RE-ORDER	DESCRIPTION	CARTON QTY	NON STERILE
35-060	<b>Cardiac Pacemaker Drape with Side Pouches</b>  <ul style="list-style-type: none"> <li>• Drape 200cm x 312cm</li> <li>• Dual apertures 12cm x 12cm with incise</li> <li>• Side pouches with suction port</li> <li>• Ultra reinforcement 75cm x 312cm</li> <li>• Clear side panels</li> </ul>	20	35-060NS

### Cardiothoracic Drapes



RE-ORDER	DESCRIPTION	CARTON QTY	NON STERILE
35-049	<b>Cardiac CV Split Drape</b>  <ul style="list-style-type: none"> <li>• Drape 252(244)cm x 335cm</li> <li>• Adhesive split 14cm x 210cm</li> <li>• Ultra reinforcement 100cm x 213cm</li> </ul>	10	35-049NS

### Cardiothoracic Drapes



RE-ORDER	DESCRIPTION	CARTON QTY	NON STERILE
35-179	<b>Cardiac Split Drape with Fabric Pouches</b>  <ul style="list-style-type: none"> <li>• Drape 275 (207)cm x 335cm</li> <li>• Adhesive split 17cm x 210cm</li> <li>• Cord holder pouches</li> <li>• Ultra reinforcement</li> </ul>	10	35-179NS

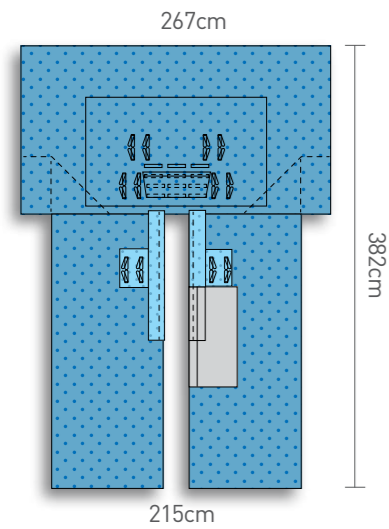
 Protex® Drapes have an absorbent top layer with an impervious backing.

PRODUCT MATERIAL KEY:



Cardiothoracic Drapes

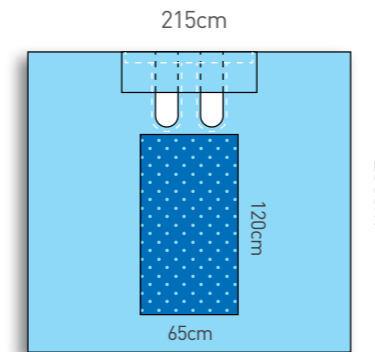
RE-ORDER	DESCRIPTION	CARTON QTY	NON STERILE
----------	-------------	------------	-------------



28-924	<b>Cardiac Split Drape</b> • Drape 267(215)cm x 382cm • Absorbent reinforcement • Instrument pouch • Tube holders / fasteners	10	ST 0338
--------	---	----	---------

Cardiac Bilateral Split Drape

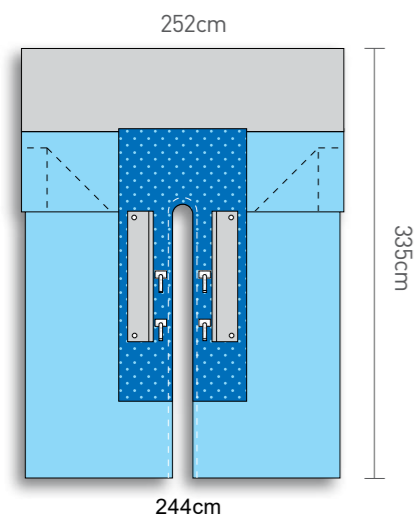
RE-ORDER	DESCRIPTION	CARTON QTY	NON STERILE
----------	-------------	------------	-------------



35-073	<b>Cardiac Bilateral Split Drape</b> • Drape 215cm x 230cm • Dual adhesive U-Split 15cm x 50cm • Ultra reinforcement 65cm x 120cm	30	35-073NS
--------	--	----	----------

Cardiothoracic Drapes

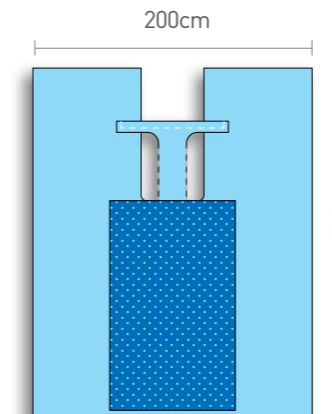
RE-ORDER	DESCRIPTION	CARTON QTY	NON STERILE
----------	-------------	------------	-------------



35-095	<b>Cardiac CV Split Drape with Pouches</b> • Drape 244(252)cm x 335cm • Adhesive split 14cm x 210cm • Reinforcement 100cm x 213cm • Armboard covers • Tube holders / fasteners • Dual pouches with suction ports • Clear anaesthetic screen	6	35-095NS
--------	--	---	----------

Cardiac Bilateral Split Drape

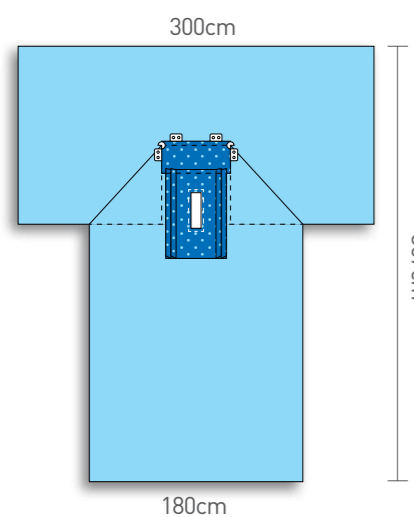
RE-ORDER	DESCRIPTION	CARTON QTY	NON STERILE
----------	-------------	------------	-------------



35-180	<b>Cardiac Bilateral Split Drape with Elasticised Groin Cover</b> • Drape 200cm x 250cm • Dual adhesive U-split 12.5cm x (57)95cm • Elasticised groin cover 90cm x 150cm	20	35-180NS
--------	---	----	----------

Cardiothoracic Drapes

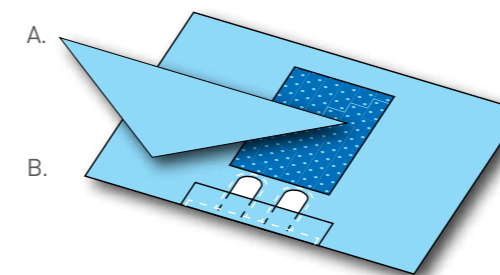
RE-ORDER	DESCRIPTION	CARTON QTY	NON STERILE
----------	-------------	------------	-------------



35-072	<b>Cardiothoracic Drape</b> • Drape 300(180)cm x 367cm • Adhesive aperture 8.5cm x 30cm • Ultra reinforcement 58cm x 102cm	20	35-072NS
--------	---	----	----------

Cardiac Drape Sets

RE-ORDER	DESCRIPTION	CARTON QTY	NON STERILE
----------	-------------	------------	-------------



40-776	<b>Cardiac Bilateral Drape Set</b>	20	
A.	1 x Drape triangle 114cm x 114cm		35-104NS
B.	1 x Cardiac bilateral split sheet 215cm x 200cm		35-073NS

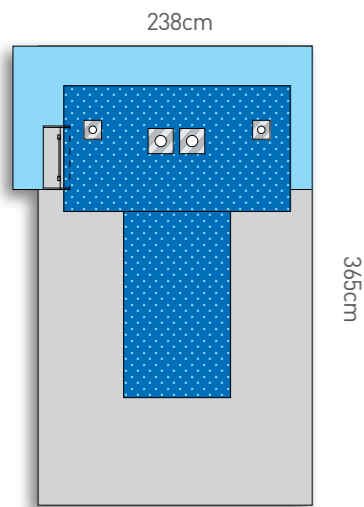
 Protex® Drapes have an absorbent top layer with an impervious backing.

PRODUCT MATERIAL KEY:



Angiography Drapes

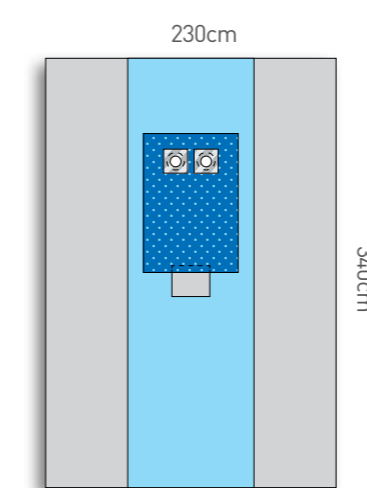
RE-ORDER	DESCRIPTION	CARTON QTY	NON STERILE
----------	-------------	------------	-------------



35-173	<b>Angiography Drape with Bilateral Femoral &amp; Radial Apertures</b>	12	35-173NS
	<ul style="list-style-type: none"> <li>• Drape 238(218)cm x h365cm</li> <li>• Dual femoral apertures 9cm with incise</li> <li>• Dual radial apertures 7cm with incise</li> <li>• Ultra reinforcement</li> <li>• Clear PE lower panel</li> <li>• Pouch 50cm x 18cm</li> </ul>		

Angiography Drapes

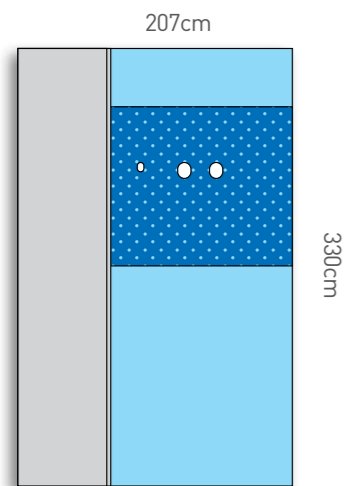
RE-ORDER	DESCRIPTION	CARTON QTY	NON STERILE
----------	-------------	------------	-------------



35-086	<b>Femoral Angiography Drape with Windows + Pouch</b>	12	35-086NS
	<ul style="list-style-type: none"> <li>• Drape 230cm x 340cm</li> <li>• Dual apertures 8.5cm with incise</li> <li>• Ultra reinforcement 75cm x 110cm</li> <li>• Pouch 30cm x 16cm</li> <li>• Clear side panels</li> </ul>		

Angiography Drapes

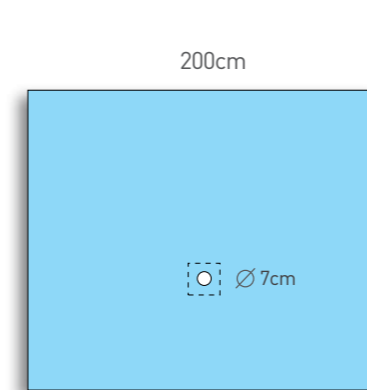
RE-ORDER	DESCRIPTION	CARTON QTY	NON STERILE
----------	-------------	------------	-------------



35-067	<b>Angiography Drape with Femoral and Radial Aperture</b>	15	35-067NS
	<ul style="list-style-type: none"> <li>• Drape 207cm x 330cm</li> <li>• Dual adhesive femoral oval apertures 10cm x 12cm</li> <li>• Adhesive radial oval aperture 5cm x 7cm</li> <li>• Ultra reinforcement 140cm x 120cm</li> <li>• Clear side panel</li> </ul>		

Angiography Drapes

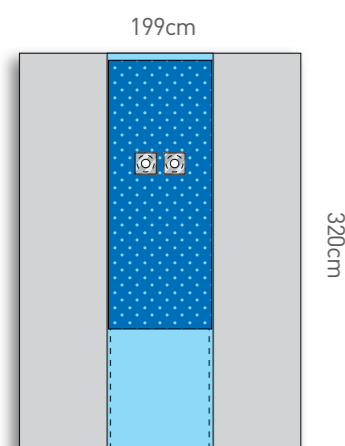
RE-ORDER	DESCRIPTION	CARTON QTY	NON STERILE
----------	-------------	------------	-------------



35-039	<b>Brachial Angiography Drape</b>	11	35-039NS
	<ul style="list-style-type: none"> <li>• Drape 200cm x 170cm</li> <li>• Adhesive round aperture 7cm diameter</li> </ul>		

Angiography Drapes

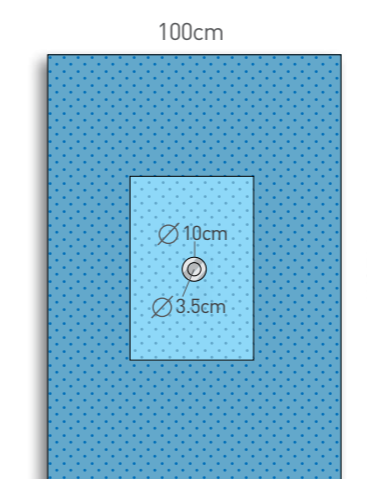
RE-ORDER	DESCRIPTION	CARTON QTY	NON STERILE
----------	-------------	------------	-------------



35-155	<b>Femoral Angiography Drape with Windows</b>	16	35-155NS
	<ul style="list-style-type: none"> <li>• Drape 199cm x 320cm</li> <li>• Dual apertures 6cm diameter with incise</li> <li>• Ultra reinforcement 73cm x 190cm</li> <li>• Clear PE side panels</li> </ul>		

Angiography Drapes

RE-ORDER	DESCRIPTION	CARTON QTY	NON STERILE
----------	-------------	------------	-------------



28-521	<b>Brachial Angiography Drape</b>	8	ST 0237
	<ul style="list-style-type: none"> <li>• Drape 100cm x 112cm</li> <li>• Round aperture 3.5cm diameter with incise</li> <li>• Absorbent reinforcement 30cm x 42cm</li> </ul>		

# ENT & Ophthalmic

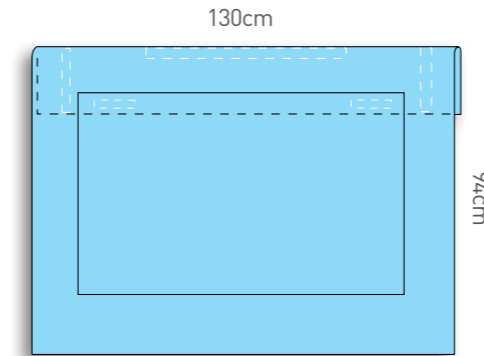
## CONTENTS

ENT Drapes	95
ENT Drapes Sets	97
Ophthalmic Drapes	98

**PRODUCT MATERIAL KEY:**

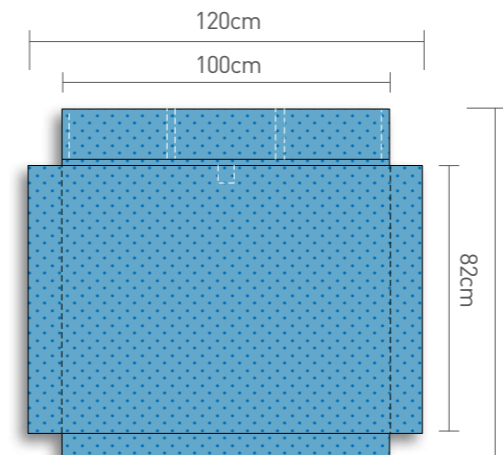


**ENT Drapes**



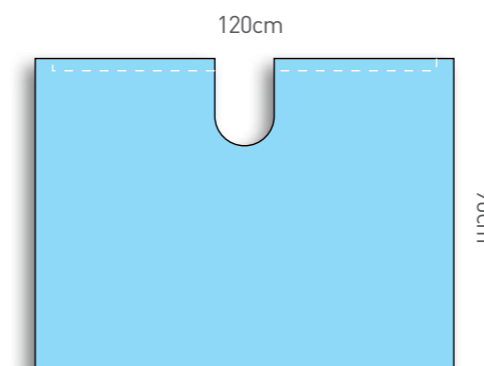
RE-ORDER	DESCRIPTION	CARTON QTY	NON STERILE
35-018	<b>Head Turban Drape</b> • Drape 130cm x 94cm • Turban 100cm x 62cm • Adhesive tabs	20	35-018NS

**ENT Drapes**



RE-ORDER	DESCRIPTION	CARTON QTY	NON STERILE
28-539	<b>ENT Head Turban Drape</b> • Drape 100(120)cm x 82(105)cm • Turban 120cm x 82cm • Adhesive tabs	15	ST 0286

**ENT Drapes**



RE-ORDER	DESCRIPTION	CARTON QTY	NON STERILE
35-139	<b>ENT Head Drape</b> • Drape 120cm x 90cm • 2 x Adhesive positioning tapes 51cm	50	35-139NS



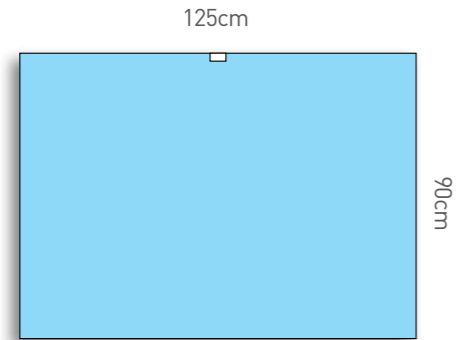
 Protex® Drapes have an absorbent top layer with an impervious backing.

PRODUCT MATERIAL KEY:



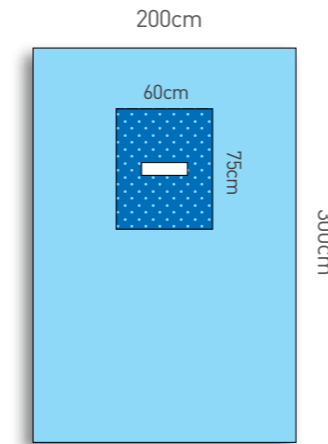
ENT Drapes

RE-ORDER	DESCRIPTION	CARTON QTY	NON STERILE
35-121	<b>Drape with Tape Strip</b> • Drape 125cm x 90cm • Adhesive tab 5cm x 2.5cm	40	35-121NS



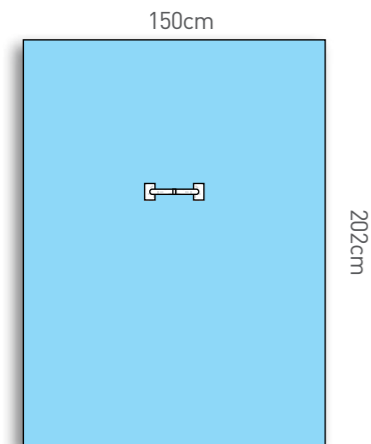
ENT Drapes

RE-ORDER	DESCRIPTION	CARTON QTY	NON STERILE
35-120	<b>Thyroid Drape with Rectangular Aperture</b> • Drape 200cm x 300cm • Aperture 18cm x 5cm • Ultra reinforcement 60cm x 75cm • Adhesive positioning tape	24	35-120NS



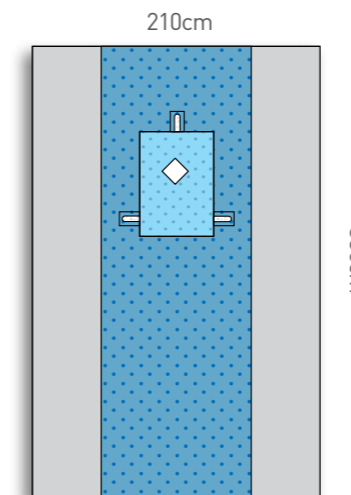
ENT Drapes

RE-ORDER	DESCRIPTION	CARTON QTY	NON STERILE
35-146	<b>ENT Body Drape</b> • Drape 150cm x 202cm • Tube holders / fasteners	40	35-146NS



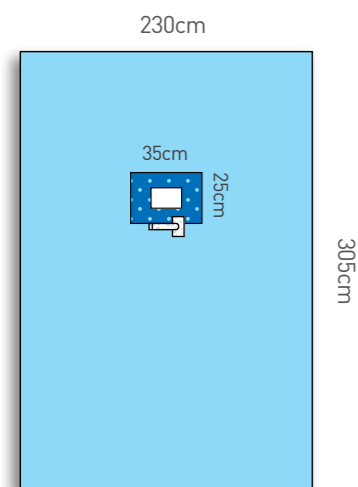
ENT Drapes

RE-ORDER	DESCRIPTION	CARTON QTY	NON STERILE
28-525	<b>Thyroid Drape with Adhesive Diamond Aperture</b> • Drape 210cm x 330cm • Diamond aperture 12.5cm x 12.5cm • Reinforcement 50cm x 70cm • Tube holders / fasteners	20	ST 0241



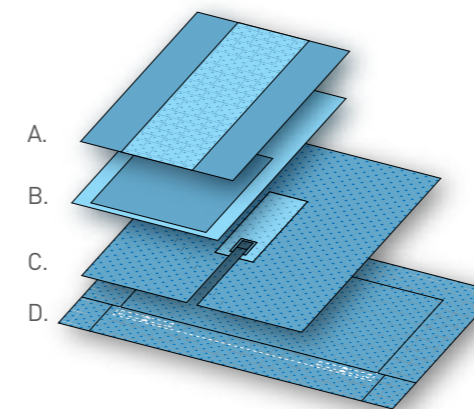
ENT Drapes

RE-ORDER	DESCRIPTION	CARTON QTY	NON STERILE
35-062	<b>Thyroid Drape with Aperture</b> • Drape 230cm x 305cm • Aperture 15cm x 10cm • Ultra reinforcement 35cm x 25cm • Tube holder / fastener	20	35-062NS



ENT Drape Set

RE-ORDER	DESCRIPTION	CARTON QTY	NON STERILE
40-744	<b>Head and Neck Drape Pack</b>	8	
A.	1 x Back table cover (Medium) 137cm x 230cm		PE 0003/B
B.	1 x Mayo cover (Medium) 58.5cm x 114cm		PE 0001
C.	1 x Orthopaedic split drape 210cm x 290cm		ST 0018
D.	1 x Head turban drape 130cm x 90cm		ST 0283



 Protex® Drapes have an absorbent top layer with an impervious backing.

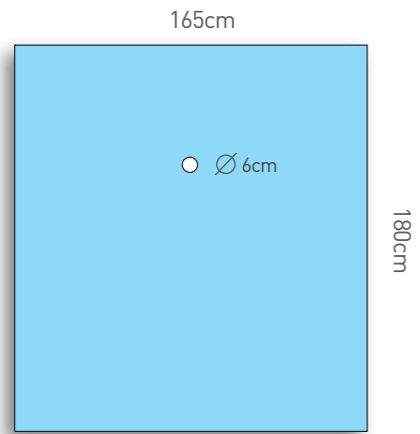
PRODUCT MATERIAL KEY:



Ophthalmic Drapes

RE-ORDER	DESCRIPTION	CARTON QTY	NON STERILE
----------	-------------	------------	-------------

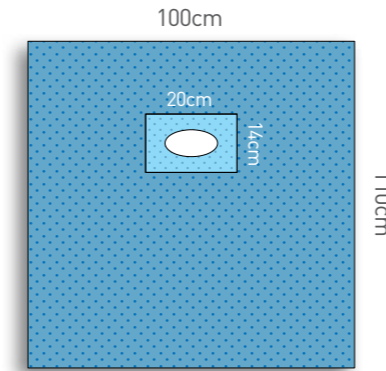
35-043	<b>Ophthalmic Drape with Round Aperture</b> • Drape 165cm x 180cm • Aperture 6cm diameter	20	35-043NS
--------	---	----	----------



Ophthalmic Drapes

RE-ORDER	DESCRIPTION	CARTON QTY	NON STERILE
----------	-------------	------------	-------------

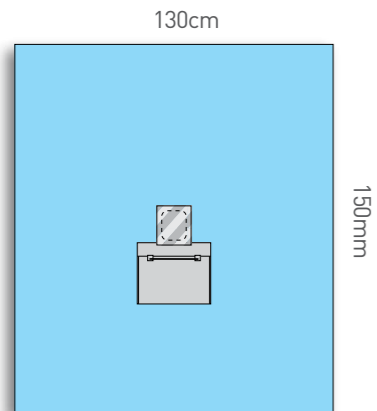
28-385	<b>Bilateral Bleph Drape with Oval Aperture</b> • Drape 100cm x 110cm • Oval aperture 8cm x 5cm • Reinforcement 20cm x 14cm	26	ST 0007
--------	--	----	---------



Ophthalmic Drapes

RE-ORDER	DESCRIPTION	CARTON QTY	NON STERILE
----------	-------------	------------	-------------

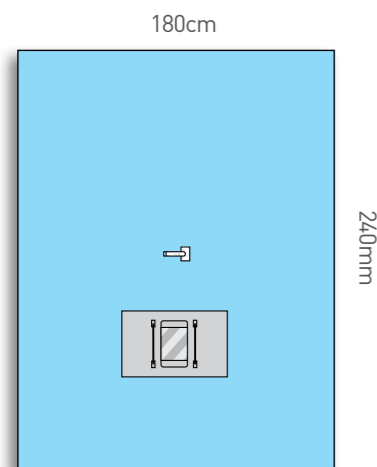
35-190	<b>Ophthalmic Drape with Pouch</b> • Drape 130cm x 150cm • Incise film 10cm x 12cm • Fluid collection pouch	20	35-190NS
--------	--	----	----------



Ophthalmic Drapes

RE-ORDER	DESCRIPTION	CARTON QTY	NON STERILE
----------	-------------	------------	-------------

35-172	<b>Ophthalmic Drape with Pouch</b> • Drape 180cm x 240cm • Tube holder / fastener • 15cm x 15cm incise film aperture • Fluid collection pouch 48cm x 30cm with malleable wire	10	35-172NS
--------	---	----	----------



Empowering  
performance  
since 1986

**Multigate Medical Products Pty.Ltd.**

27 Llewellyn Avenue  
Villawood NSW 2163  
Australia  
T +61 (0)2 8718 2888  
F +61 (0)2 8718 2889  
enquiries@multigate.com.au  
[www.multigate.com.au](http://www.multigate.com.au)

For more information please contact your  
local Business Development Manager:  
**(02) 8718 2888** or visit [multigate.com.au](http://multigate.com.au)